



# Operator's Manual

## Manual del Operario

## Manuel de l'Utilisation

**Models / Modelos / Modèles**

**040212**

**040213**

**040229**

**040234**

Questions? Help is just a moment away!  
Preguntas? La ayuda es justa un momento  
lejos!

Vous avez des questions? Vous n'avez pas  
besoin d'aller loin pour trouver de l'aide!

Call: **Home Generator Helpline**

Llamada: **Línea Directa de Generador de Hogar**

Appelez: **Ligne Directe de Génératrice la  
Maison - 1-800-743-4115 M-F 8-5 CT**

Web: [www.homegeneratorsystems.com](http://www.homegeneratorsystems.com)



# 12000 / 15000

## Home Generator System



## TABLE OF CONTENTS

### TABLE OF CONTENTS


TABLE OF CONTENTS . . . . .	2	Battery Connection . . . . .	12
IMPORTANT SAFETY RULES . . . . .	3-4	Gaseous Fuel System . . . . .	12
Hazard Symbols and Meanings . . . . .	3	AUTOMATIC OPERATION . . . . .	13
SAVE THESE INSTRUCTIONS . . . . .	5	Checking Automatic Operation . . . . .	13
INTRODUCTION . . . . .	5	Servicing the System . . . . .	13
Installation Assistance . . . . .	5	Setting Exercise Timer . . . . .	13
For the Home Owner: . . . . .	5	FAULT DETECTION SYSTEM . . . . .	14
For the Installing Dealer/Contractor: . . . . .	5	Reset Fault Detection System . . . . .	14
OWNER ORIENTATION . . . . .	5	No LED - Discharged Battery . . . . .	14
Fuel Factors . . . . .	6	Low Battery Voltage . . . . .	14
Power Decrease at High Altitude or High		Low Oil Pressure . . . . .	14
Temperature . . . . .	6	Low Voltage . . . . .	15
Home Generator System Location . . . . .	6	Engine Fail To Start . . . . .	15
Generator Clearances . . . . .	6	Low Frequency . . . . .	15
General Location Guidelines . . . . .	6-7	Engine Overspeed . . . . .	15
Essential Circuits . . . . .	7	Oil Temperature High . . . . .	15
Essential Circuit Selection . . . . .	8	Transfer Switch Fault. . . . .	15
UNPACKING . . . . .	8	GENERATOR MAINTENANCE . . . . .	16
Delivery Inspection . . . . .	8	Changing Engine Oil . . . . .	16
Shipment Contents . . . . .	8	To Clean the Generator . . . . .	16
KNOW YOUR HOME GENERATOR SYSTEM . . . . .	9	When Calling the Factory . . . . .	16
KNOW YOUR SYSTEM CONTROL PANEL . . . . .	10	STORAGE . . . . .	16
Access Doors . . . . .	11	TROUBLESHOOTING . . . . .	17
To Open an Access Door: . . . . .	11	NOTES . . . . .	18
To Close an Access Door: . . . . .	11	WARRANTY . . . . .	19
BEFORE INITIAL START-UP . . . . .	12	ESPAÑOL . . . . .	20-37
Engine Oil . . . . .	12	FRANÇAIS . . . . .	38-64
Oil Considerations . . . . .	12		

Copyright © 2005 Briggs & Stratton Power Products Group, LLC. All rights reserved. No part of this material may be reproduced or transmitted in any form by any means without the express written permission of Briggs & Stratton Power Products Group, LLC.

# SAFETY RULES

## SAVE THESE INSTRUCTIONS









### IMPORTANT SAFETY RULES





The safety alert symbol () is used with a signal word (DANGER, CAUTION, WARNING), a pictorial and/or a safety message to alert you to hazards. **DANGER** indicates a hazard which, if not avoided, *will* result in death or serious injury. **WARNING** indicates a hazard which, if not avoided, *could* result in death or serious injury. **CAUTION** indicates a hazard which, if not avoided, *might* result in minor or moderate injury. **CAUTION**, when used **without** the alert symbol, indicates a situation that could result in equipment damage. Follow safety messages to avoid or reduce the risk of injury or death.



The manufacturer cannot possibly anticipate every possible circumstance that might involve a hazard. The warnings in this manual, and the tags and decals affixed to the unit are, therefore, not all-inclusive. If you use a procedure, work method or operating technique that the manufacturer does not specifically recommend, you must satisfy yourself that it is safe for you and others. You must also make sure that the procedure, work method or operating technique that you choose does not render the generator unsafe.




**NOTE:** Your generator is equipped with a spark arrester muffler. The spark arrester must be maintained in effective working order by the owner/operator. In the State of California, a spark arrester is required by law (Section 4442 of the California Public Resources Code). Other states may have similar laws. Federal laws apply on federal lands.

### Hazard Symbols and Meanings

		
Toxic Fumes	Rotating Parts	Electrical Shock
		
Hot Surface	Explosion	Fire
		
Explosive Pressure	Chemical Burn	

 <b>DANGER</b>	
	Storage batteries give off explosive hydrogen gas during recharging. Slightest spark will ignite hydrogen and cause explosion.
	Battery electrolyte fluid contains acid and is extremely caustic. Contact with battery contents will cause severe chemical burns.
	A battery presents a risk of electrical shock and high short circuit current.
<ul style="list-style-type: none"> <li>• DO NOT dispose of battery in a fire.</li> <li>• DO NOT allow any open flame, spark, heat, or lit cigarette during and for several minutes after charging a battery.</li> <li>• DO NOT open or mutilate the battery.</li> <li>• Wear protective goggles, rubber apron, and rubber gloves.</li> <li>• Remove watches, rings, or other metal objects.</li> <li>• Use tools with insulated handles.</li> </ul>	

 <b>WARNING</b>	
	Running generator gives off carbon monoxide, an odorless, colorless, poison gas. Breathing carbon monoxide can cause nausea, fainting or death.
<ul style="list-style-type: none"> <li>• Operate generator <b>ONLY</b> outdoors.</li> <li>• Keep exhaust gas from entering a confined area through windows, doors, ventilation intakes or other openings.</li> </ul>	

 <b>WARNING</b>	
	Running engines produce heat. Temperature of muffler and nearby areas can reach or exceed 150°F (65°C).
	Severe burns can occur on contact. Exhaust heat/gases can ignite combustibles or structures causing a fire.
<ul style="list-style-type: none"> <li>• DO NOT touch hot surfaces and avoid hot exhaust gases.</li> <li>• Allow equipment to cool before touching.</li> <li>• Keep at least 5 ft. (152 cm) clearance on all sides of generator including overhead.</li> <li>• Code of Federal Regulation (CFR) Title 36 Parks, Forests, and Public Property require equipment powered by an internal combustion engine to have a spark arrester, maintained in effective working order, complying to USDA Forest service standard 5100-1C or later revision. In the State of California a spark arrester is required under section 4442 of the California Public resources code. Other states may have similar laws.</li> </ul>	

## SAFETY RULES

### ⚠ WARNING



Generator produces powerful voltage. Failure to properly ground generator can result in electrocution.  
Failure to isolate generator from power utility can result in death or injury to electric utility workers due to backfeed of electrical energy.

- When using generator for backup power, notify utility company.
- DO NOT touch bare wires or receptacles.
- DO NOT use generator with electrical cords which are worn, frayed, bare or otherwise damaged.
- DO NOT handle generator or electrical cords while standing in water, while barefoot, or while hands or feet are wet.
- If you must work around a unit while it is operating, stand on an insulated dry surface to reduce shock hazard.
- DO NOT allow unqualified persons or children to operate or service generator.
- In case of an accident caused by electrical shock, immediately shut down the source of electrical power and contact the local authorities. **Avoid direct contact with the victim.**
- Before performing any maintenance on the generator, disconnect the battery cable indicated by a **NEGATIVE, NEG** or **(-)** first. When finished, reconnect that cable last.
- After your Home Generator System is installed, the generator may crank and start without warning any time there is a power failure. To prevent possible injury, always set the system switch to **OFF AND** remove the 15 Amp fuse **BEFORE** working on the equipment.

### ⚠ WARNING



Propane and Natural Gas are extremely flammable and explosive.



Fire or explosion can cause severe burns or death.

- Install the fuel supply system according to applicable fuel-gas codes.
- Before placing the Home Generator System into service, the fuel system lines must be properly purged and leak tested.
- After the generator is installed, you should inspect the fuel system periodically.
- NO leakage is permitted.
- DO NOT operate engine if smell of fuel is present or other explosive conditions exist.
- DO NOT smoke around the generator. Wipe up any oil spills immediately. Ensure that no combustible materials are left in the generator compartment. Keep the area near the generator clean and free of debris.

### ⚠ CAUTION



Excessively high operating speeds increase risk of injury and damage to generator.  
Excessively low speeds impose a heavy load.

- DO NOT tamper with governed speed. Generator supplies correct rated frequency and voltage when running at governed speed.
- DO NOT modify generator in any way.

### CAUTION

Exceeding generators wattage/ampere capacity can damage generator and/or electrical devices connected to it.

- See “Essential Circuits” on page 7.
- Start generator and let engine stabilize before connecting electrical loads.

### CAUTION

Improper treatment of generator can damage it and shorten its life.

- Use generator only for intended uses.
- If you have questions about intended use, ask dealer or contact Briggs and Stratton.
- Operate generator only on level surfaces.
- Adequate, unobstructed flow of cooling and ventilating air is critical to correct generator operation.
- The Oil Fill, Oil Drain and the Control Panel doors must be installed whenever the unit is running.
- DO NOT expose generator to excessive moisture, dust, dirt, or corrosive vapors.
- Despite the safe design of the Home Generator System, operating this equipment imprudently, neglecting its maintenance or being careless can cause possible injury or death.
- Remain alert at all times while working on this equipment. NEVER work on the equipment when you are physically or mentally fatigued.
- DO NOT start engine with air cleaner or air cleaner cover removed.
- DO NOT insert any objects through cooling slots.
- DO NOT use the generator or any of its parts as a step. Stepping on the unit can cause stress and break parts. This may result in dangerous operating conditions from leaking exhaust gases, fuel leakage, oil leakage, etc..
- If connected devices overheat, turn them off and disconnect them from generator.
- Shut off generator if:
  - electrical output is lost;
  - equipment sparks, smokes, or emits flames;
  - unit vibrates excessively.

## SAVE THESE INSTRUCTIONS

This manual contains important instructions that should be followed during installation and maintenance of the generator and battery.

## INTRODUCTION

**Thank you** for your purchase of a Briggs & Stratton Home Generator System (HGS). This product is intended for use as an optional home standby system which provides an alternate source of electric power and to serve loads such as heating, refrigeration systems, and communication systems that, when stopped during any power outage, could cause discomfort, or the like. This product does not qualify for emergency standby as defined by NFPA 70 (NEC).

Briggs and Stratton has made every effort to provide for a safe, streamlined and cost-effective installation. Because each installation is unique, it is impossible to know of and advise the trade of all conceivable procedures and methods by which installation might be achieved. Neither could we know of possible hazards and/or the results of each method or procedure. For these reasons,

**Only current licensed electrical and plumbing contractors should attempt HGS installations.**

**Installations must strictly comply with all applicable codes, industry standards and regulations.**

Your Briggs & Stratton Home Generator System is supplied with this "Operator's Manual" and a separate "Installation Manual". These are important documents and should be retained by the owner after the installation has been completed.

### Installation Assistance

#### For the Home Owner:

To help you make informed choices and communicate effectively with your installation contractor(s),

**Read and understand the Owner Orientation Section of this manual BEFORE contracting or starting your HGS installation.**

To arrange for proper installation, contact the store at which you purchased your Briggs & Stratton Home Generator System, your dealer, a licensed electrician or your utility power provider.

**The HGS Warranty is VOID unless the system is installed by licensed electrical and plumbing professionals.**

#### For the Installing Dealer/Contractor:

For most applications, the Installation manual contains all the information required to properly install and start the Home Generator System. This Operator's Manual describes essential circuit selection, routine operation and owner maintenance procedures.

If you need more information, call 1-800-743-4115, between 8:00 AM and 5:00 PM CT.

The Emission Control System for this generator is warranted for standards set by the U.S. Environmental Protection Agency and by the California Air Resources Board (CARB).

## OWNER ORIENTATION

This section provides Home Generator System owners with the information necessary to achieve the most satisfactory and cost effective installation possible.

The illustrations are for typical circumstances and are meant to familiarize you with the installation options available with your Home Generator System. A thorough understanding of these options will provide fundamental control over the cost of your installation, as well as ensure your final satisfaction and security.

Federal and local codes, appearance, noise levels, fuel types, and distances are the factors that must be considered when negotiating with an installation professional. Remember that as the distance from the existing electrical service and gaseous fuel supply increases, equal compensations in piping and wiring materials must be allowed for. This is necessary to comply with local codes and overcome electrical voltage drops and gaseous fuel pressure drops.

**The factors mentioned above will have a direct affect on the overall price of your Home Generator System installation.**

**NOTE:** In some areas you may need to acquire electrical permits for installing the Home Generator System, building permits for installing gas lines, and permits for noise allowances. Your installer should check your local codes AND obtain the permits before installing the system.

# INSTALLATION

## Fuel Factors




An important consideration affecting the entire installation is the type of fuel used by your Home Generator System. The system was factory tested and adjusted using natural gas as a fuel. Liquid propane (LP) may also be used as a fuel (see the Installation Manual).

Although there are specific factors that are inherent to each of these fuels, your location and the duration of possible utility interruptions should guide your selection of fuel type. For urban installations, Natural Gas (if available) should be your fuel of choice. For remote installations, a Liquefied Petroleum (LP) tank might better meet your needs.

For proper engine function, the following fuel guidelines are recommended:

- Use clean, dry fuel, free of moisture or any particulate material. Using fuels outside the following recommended values may cause performance problems.

In engines set up to run on propane (LP) gas, commercial grade HD5 propane with a minimum fuel energy of 2500 BTUs/ft<sup>3</sup> with maximum propylene content of 5% and butane and heavier gas content of 2.5% and minimum propane content of 90%.

 <b>WARNING</b>	
	Propane and Natural Gas is extremely flammable and explosive.
	Fire or explosion can cause severe burns or death.
<ul style="list-style-type: none"><li>• The Home Generator System is equipped with an automatic safety gas “fuel shut-off” valve.</li><li>• DO NOT operate the equipment if the “fuel shut-off” valve is missing or inoperative.</li></ul>	

## Power Decrease at High Altitude or High Temperature

Air density is less at high altitudes, resulting in less available engine power. Specifically, engine power will decrease 3.5% for each 1,000 feet (300 meters) above sea level and 1% for each 10° F (5.6°C) above 77°F (25°C). Make sure you and your installer consider these factors when determining total generator load.

## Generator Location

The actual physical location of your HGS has a direct effect on:



1. The amount of plumbing required to fuel your generator.
2. The amount of wiring required to control and connect your generator.

**NOTE:** Specific location guidelines are discussed in the Installation Manual. Acquaint yourself with that information and confer with your installer. Be sure to ask how your site might affect installation costs and compliance with local codes and standards.



## Home Generator System Location

Before installing generator, consult with homeowner and convey the following guidelines which may affect the desired location.

### Generator Clearances

 <b>WARNING</b>	
	Exhaust heat/gases can ignite combustibles or structures causing a fire.
<ul style="list-style-type: none"><li>• Keep at least 5 ft. (152 cm) clearance on all sides of generator including overhead.</li></ul>	

Place generator in a well ventilated area which will allow for removal of deadly exhaust gas. DO NOT install generator where exhaust gas could accumulate and enter inside or be drawn into a potentially occupied building. Ensure exhaust gas is kept away from any windows, doors, ventilation intakes or other openings that can allow exhaust gas to collect in a confined area (Figure 1). Prevailing winds and air currents should be taken into consideration when positioning generator.

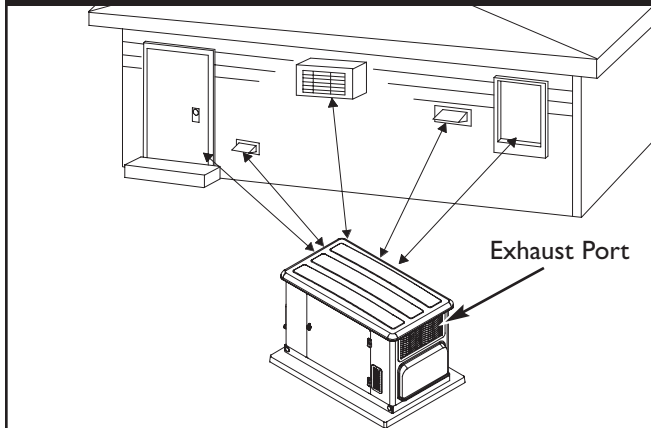
 <b>WARNING</b>	
	Running generator gives off carbon monoxide, an odorless, colorless, poison gas. Breathing carbon monoxide can cause nausea, fainting or death.
<ul style="list-style-type: none"><li>• Operate generator ONLY outdoors.</li><li>• Keep exhaust gas from entering a confined area through windows, doors, ventilation intakes or other openings.</li></ul>	

### General Location Guidelines

- Install the unit outdoors **ONLY**.
- Place the unit in a prepared location that is flat and has provisions for water drainage.
- Install the unit in a location where sump pump discharge, rain gutter down spouts, roof run-off, landscape irrigation, or water sprinklers will not flood the unit or spray the enclosure and enter any air inlet our outlet openings.
- Install the unit where the location of any services such as phone, electrical, fuel, air conditioning, irrigation, including covered, concealed and underground services will not be affected or obstructed.

# INSTALLATION

Figure 1 — Home Generator System Clearances



- Install the unit where air inlet and outlet openings will not become obstructed by leaves, grass, snow, etc. If prevailing winds will cause blowing or drifting, you may need to construct a windbreak to protect the unit.
- Install the generator as close as possible to the Transfer Switch to reduce the length of wiring and conduit.
- Install the generator as close as possible to the fuel supply to reduce length of pipes.

**IMPORTANT:** Laws or local codes may regulate the distance to the fuel supply.

The Home Generator System is shipped already attached to its mounting pad. Unless mandated by local code, a concrete slab is not required.

If mandated by local code, construct a concrete slab at least 3 inches thick and 6 inches longer and wider than the unit. Attach unit to slab with 1/4" diameter (minimum) masonry anchor bolts long enough to retain the unit.

## Essential Circuits

As a Home Generator System owner, it is important that you clearly identify the circuits in your building that are "essential" to you.

It is important that your installer understand which circuits you want to include as "Essential Circuits". Depending on the power consumed by these circuits, most or all of them can be switched to the Home Generator System for the duration of normal power interruption.

The wattage reference guide shown in Figure 2 will assist you with your decision-making process. It provides the wattage used by many ordinary household devices. Use it as a guide when selecting your essential circuits. Review this information with your installer and ask about any technical considerations that might affect the cost of your installation.

Figure 2 — Wattage Reference Guide

	Device	Running Watts
<input type="checkbox"/>	Air Conditioner (12,000 Btu)*	1700
<input type="checkbox"/>	Air Conditioner (24,000 Btu)*	3800
<input type="checkbox"/>	Air Conditioner (40,000 Btu)*	6000
<input type="checkbox"/>	Battery Charger (20 Amp)	500
<input type="checkbox"/>	Circular Saw (6-1/2")	800 to 1000
<input type="checkbox"/>	Clothes Dryer (Electric)*	5750
<input type="checkbox"/>	Clothes Dryer (Gas)*	700
<input type="checkbox"/>	Clothes Washer*	1150
<input type="checkbox"/>	Coffee Maker	1750
<input type="checkbox"/>	Compressor (1 HP)*	2000
<input type="checkbox"/>	Compressor (1/2 HP)*	1400
<input type="checkbox"/>	Compressor (3/4 HP)*	1800
<input type="checkbox"/>	Curling Iron	700
<input type="checkbox"/>	Dehumidifier*	650
<input type="checkbox"/>	Electric Blanket	400
<input type="checkbox"/>	Electric Range (per element)	1500
<input type="checkbox"/>	Electric Skillet	1250
<input type="checkbox"/>	Freezer*	700
<input type="checkbox"/>	Furnace Fan (3/5 HP)*	875
<input type="checkbox"/>	Garage Door Opener*	500 to 750
<input type="checkbox"/>	Hair Dryer	1200
<input type="checkbox"/>	Hand Drill	250 to 1100
<input type="checkbox"/>	Iron	1200
<input type="checkbox"/>	Jet Pump*	800
<input type="checkbox"/>	Light Bulb	100
<input type="checkbox"/>	Microwave Oven	700 to 1000
<input type="checkbox"/>	Milk Cooler*	1100
<input type="checkbox"/>	Oil Burner on Furnace	300
<input type="checkbox"/>	Oil Fired Space Heater (140,000 Btu)	400
<input type="checkbox"/>	Oil Fired Space Heater (30,000 Btu)	150
<input type="checkbox"/>	Oil Fired Space Heater (85,000 Btu)	225
<input type="checkbox"/>	Radio	50 to 200
<input type="checkbox"/>	Refrigerator	700
<input type="checkbox"/>	Slow Cooker	200
<input type="checkbox"/>	Submersible Pump (1 HP)*	2000
<input type="checkbox"/>	Submersible Pump (1/2 HP)*	1500
<input type="checkbox"/>	Submersible Pump (1-1/2 HP)*	2800
<input type="checkbox"/>	Sump Pump*	800 to 1050
<input type="checkbox"/>	Table Saw (10")*	1750 to 2000
<input type="checkbox"/>	Television	200 to 500
<input type="checkbox"/>	Toaster	1000 to 1650

\*Allow three (3) times listed watts for starting device

# INSTALLATION

## Essential Circuit Selection

When selecting the essential circuits that will be switched to “Standby Power,” it is important that the sum of the combined circuit loads does not exceed the wattage/ampere capacity of the generator. To help you with your selection of essential circuits, please consider the following:

Add up the total wattage of all electrical devices to be connected at one time. This total should **NOT** be greater than the generator’s wattage capacity.

The rated wattage of lights can be taken from light bulbs. The rated wattage of tools, appliances and motors can usually be found on a data plate or decal affixed to the device.

If the appliance, tool or motor nameplate does not list wattage, multiply volts times the ampere rating to determine watts (**Volts x Amps = Watts**).

Some electric motors (induction types) require about three times more watts of power for starting than for running. This surge lasts for only a few seconds. Be sure you allow for this high starting wattage when selecting electrical devices that will be energized by the Home Generator System:

- Figure the watts required to start the largest motor.
- Add that to the total running watts of all other connected loads.

**This Briggs & Stratton Home Generator System complies with the following “stationary standby power rating”:**

The standby power rating is applicable for supplying power for the duration of normal power interruption. NO sustained overload capability is available for this rating.

This rating is applicable to installations served by a reliable normal utility source. This rating is only applicable to variable loads with an average load factor of 80% of the standby rating. The standby rating is only applicable for optional standby power where the generator set serves as the backup to the normal utility source.

Use the “Wattage Reference Guide” provided and mark those circuits you consider “critical” or “essential”. Make sure you and your installer consider the system’s altitude above sea level and the ambient temperature range when determining total generator load.

**IMPORTANT:** When using the 100 Amp or 200 Amp transfer switch with the Home Generator System, you must turn off any non essential loads. Failure to turn off non

essential loads could overload the generator causing it to shut down. Some examples of non essential loads are as follows:

- Pool pump
- Hot tub
- Electric hot tub and/or pool heaters
- Central air conditioners
- Electric hot water heaters
- Electric range and/or oven
- Arc welder
- Non essential electric heaters

## UNPACKING

Refer to the Installation Manual for detailed unpacking instructions, if desired.

## Delivery Inspection

After removing the carton, carefully inspect the Home Generator System for any damage that may have occurred during shipment.

**IMPORTANT:** If loss or damage is noted at time of delivery, have the person(s) making delivery note all damage on the freight bill and affix his signature under the consignor’s memo of loss or damage. If loss or damage is noted after delivery, separate the damaged materials and contact the carrier for claim procedures. Missing or damaged parts are not warranted.

## Shipment Contents

**The Home Generator System is supplied with:**

- Home Generator System
- Pre-attached mounting pad
- One 24” flexible hook-up hose
- Installation and start-up manual
- Operator’s manual
- Illustrated parts list manual
- Installation checklist
- Two access door keys
- Four lifting hole plugs
- Oil fill spout
- One spare 15A fuse
- 2 Pole connector - 240V from house
- 10 Pole connector - Sensing and control wires
- Air intake engine cover
- Alternator cover
- Diagnostic LED kit (red LED/plate/screws (2))

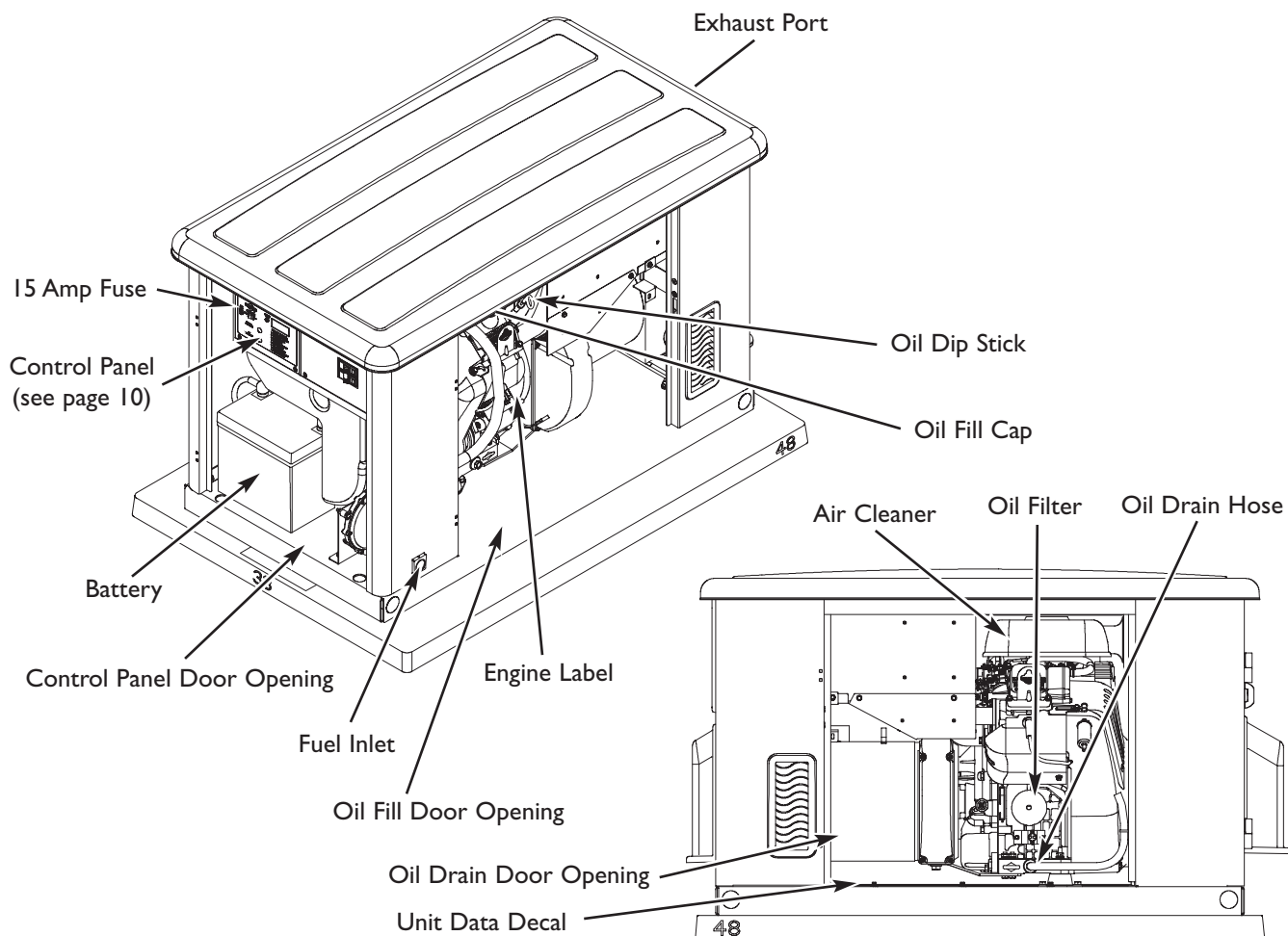


# KNOW YOUR HOME GENERATOR SYSTEM



**Read this operator's manual and safety rules before operating your generator.**

Compare the illustrations with your generator to familiarize yourself with the locations of various controls and adjustments. Save this manual for future reference.



**15 Amp Fuse** — Protects the DC control circuits.

**Air Cleaner** — Protects engine by filtering dust and debris out of intake air.

**Battery** — 12 Volt DC, 55 Amp-Hour sealed battery provides power to start the engine. Battery receives trickle charge whenever generator is not running.

**Control Panel** — Used for various test, operation and maintenance functions. See “KNOW YOUR SYSTEM CONTROL PANEL” on the next page.

**Engine Label** — Identifies engine model and type.

**Exhaust Port** — High-performance muffler lowers engine noise to comply with most residential codes.

**Oil Dip Stick** — Used to check the engine oil level.

**Oil Drain Hose** — Provided to facilitate oil changing.

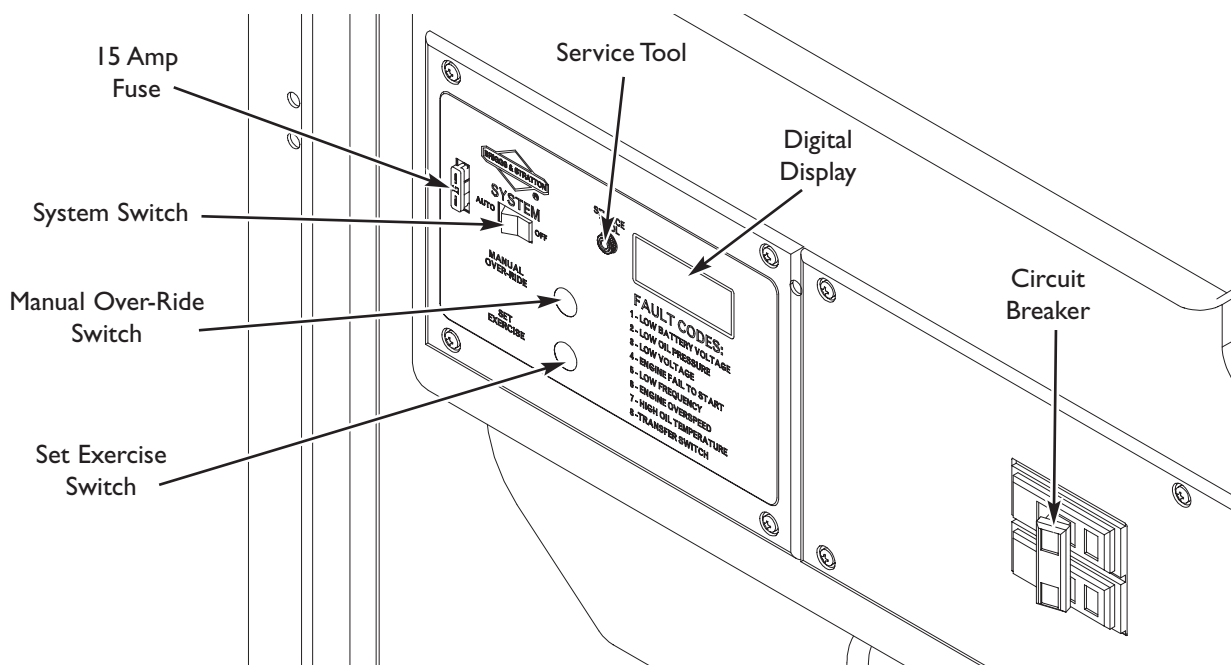
**Oil Fill Cap** — Remove to service the engine with recommended oil.

**Oil Filter** — Filters engine oil to prolong system life.

**Unit Data Decal (located on base)** — Identifies unit by serial number.

## KNOW YOUR SYSTEM CONTROL PANEL

Compare this Control Panel illustration with your generator to familiarize yourself with the location of these important controls:



**15 Amp Fuse** — Protects the Home Generator System DC control circuits. If the fuse has ‘blown’ (melted open) or was removed, the engine cannot crank or start. Replace the fuse using only an identical ATO 15A fuse.

**Circuit Breaker** — Protects the system from shorts and other over-current conditions. Must be ON to supply power to the Automatic Transfer Switch.

**Digital Display** — Displays the total number of hours the generator has been running and fault codes. Used to schedule maintenance tasks and troubleshooting operational problems with the Home Generator System. All fault conditions are described in the section “Fault Detection System”.

**Manual Over-Ride Switch** — With system switch in AUTO position, push the manual over-ride switch to start the generator. Push the manual over-ride switch again to turn off the generator

**Service Tool** — For use by qualified service personnel ONLY.

**Set Exercise Switch** — Used to set the exercise cycle start time and day-of-the-week. Exercise cycle only occurs in AUTO mode.

**System Switch** — This two-position switch is the most important control on the system and is used as follows:

- **“AUTO”** position is the normal operating position. If a utility power outage is sensed, the system will start the generator. When utility power is restored, lets the engine stabilize internal temperatures, shuts off the generator, and waits for the next utility power outage.
- **“OFF”** position turns off running generator, prevents unit from starting and resets any detected faults.

# INSTALLATION

## Access Doors

The Home Generator System is equipped with an enclosure that has three access doors (Figure 3). The doors are named for a significant component located behind them. Starting with the side that has the fuel connection and proceeding clockwise, the doors are named:

- Oil Fill door
- Control Panel door
- Oil Drain door

Each Home Generator System is equipped with two identical keys. These keys fit the locks that secure the access doors.

## WARNING



Running engines produce heat. Temperature of exhaust port and nearby areas can reach or exceed 600°F (316°C). Severe burns can occur on contact.

- DO NOT touch hot surfaces.
- Allow equipment to cool before touching.

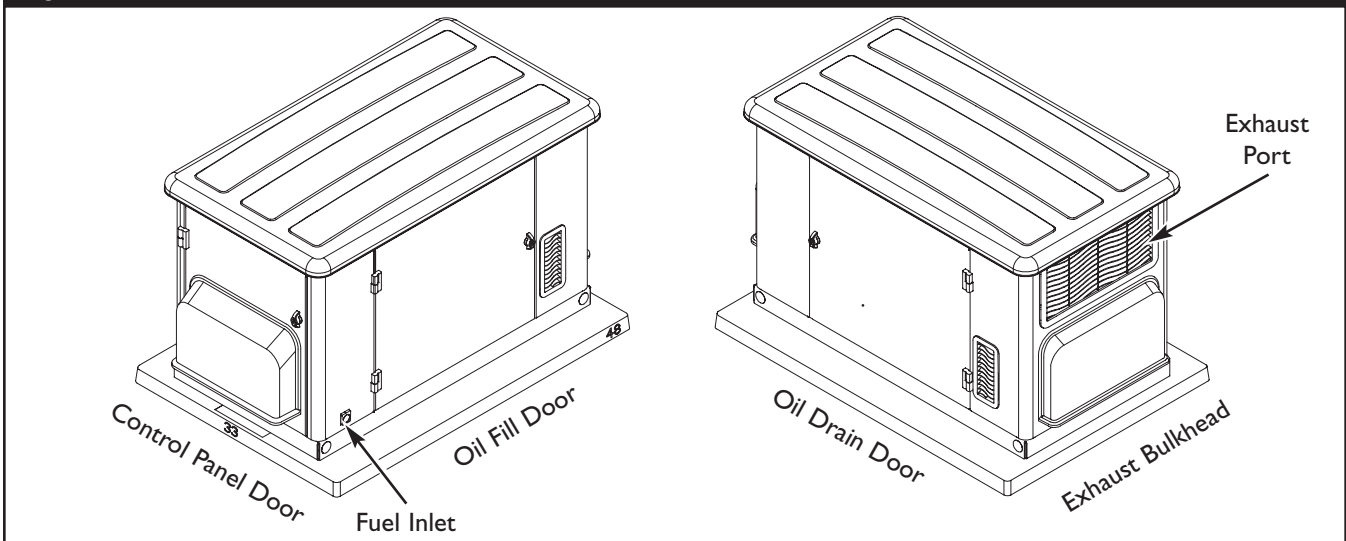
### To Open an Access Door:

1. Insert key into lock of access door you wish to open and turn one quarter turn counterclockwise.
2. Grasp door's handle and turn one quarter turn counterclockwise to open. Remove key.

### To Close an Access Door:

1. Close door and turn door's handle one quarter of a turn clockwise.
2. Insert key into lock of access door and turn one quarter turn clockwise. Remove key.

Figure 3 — Enclosure Access Doors



## BEFORE INITIAL START-UP

### Engine Oil

This engine is shipped from the factory filled with the recommended oil. Before starting the engine, check oil level and ensure that engine is serviced as described in the engine operator's manual.

#### CAUTION

Any attempt to crank or start the engine before it has been properly serviced with the recommended oil will result in equipment failure.

- Refer to engine manual for oil fill information.
- Damage to equipment resulting from failure to follow this instruction will void warranty.

### Oil Considerations

Your Home Generator System is equipped with an engine that has been pre-run at the factory and does not require the traditional "break-in" procedure.

The system is filled with synthetic oil (API SJ/CF 5W-30W). This allows for system operation in the widest range of temperature and climate conditions.

**NOTE:** The use of synthetic oil **DOES NOT** alter the required oil change intervals described in the engine operator's manual.

### Battery Connection

The Home Generator System is supplied with a 12 Volt DC 55 Amp-Hour, valve regulated battery. It is a sealed, lead-acid rechargeable battery. It is installed in the unit and the battery cables are connected at the factory. The generator's 15 Amp fuse has been removed to prevent the unit from starting during shipping.



#### CAUTION

Installing the 15A fuse could cause the engine to start.

- DO NOT install the 15 Amp fuse until all plumbing and wiring has been completed and inspected.

**NOTE:** With the battery installed, all wiring to transfer switch and Home Generator System completed, utility power supplied to the Automatic Transfer Switch, and the unit in AUTO mode, the battery receives a trickle charge while the engine is not running. The trickle charger cannot be used to recharge a battery that is completely discharged.

### Gaseous Fuel System

- Ensure that all fuel connections are tight, secure and without leaks.
- Ensure that all shutoff valves are OPEN and that adequate pressure is available (see installation manual).



#### WARNING



Propane and Natural Gas is extremely flammable and explosive.



Fire or explosion can cause severe burns or death.

- DO NOT operate engine if smell of fuel is present or other explosive conditions exist.
- If you smell 'raw' gaseous fuel (natural or LP) near the unit, immediately turn off the gas supply to the Home Generator System.
- Contact your gas utility or the system installer for assistance in determining the source of the smell.

## AUTOMATIC OPERATION

To select automatic operation, do the following:

1. Set the service disconnect or main distribution panel circuit breaker that sends utility voltage to the transfer switch to **ON**.
2. Set the generator's main circuit breaker to its **ON** position.
3. Set the system switch to **AUTO**.



### CAUTION

With the switch set to **AUTO**, the engine may crank and start at any time without warning. Such automatic starting normally occurs when utility source voltage drops below a preset level or during the normal exercise cycle.

- To prevent possible injury that might be caused by such sudden starts, always set the system switch to **OFF**.
- Remove the 15 Amp fuse before working on or around the generator or transfer switch.

## Checking Automatic Operation

To check the system for proper automatic operation, proceed as follows:

1. Turn **OFF** the service disconnect or main distribution panel circuit breaker sending power to the automatic transfer switch.

The engine will crank and start when the utility voltage drops out and the sensor has timed out. Let the system go through its entire automatic operation sequence.

2. With the generator output supplying its loads, turn **ON** the service disconnect or main distribution panel circuit breaker that supplies utility power to the Automatic Transfer Switch.
3. The automatic transfer switch will transfer loads back to the utility power after 5 minute minimum run time and utility is restored.
4. The generator will run for an additional one minute for engine cool down, then shut down.

**NOTE:** If utility is restored and generator does not shut down after 10 minutes, set system switch to **OFF** and contact your installer or local service center.

This completes the test procedures for automatic operation. The Home Generator System will now start automatically when utility power is lost and will supply power to the transfer switch.

## Servicing the System

To service system:

1. Set the system switch to **OFF**.
2. Set the generator's main circuit breaker to its **OFF** position.
3. Utility voltage is present. Disconnect power before servicing by removing the two 2 Amp fuses from the transfer switch.

## Setting Exercise Timer

The Home Generator System is equipped with an exercise timer that will start and exercise the system once every seven days. During this exercise period, the unit runs for approximately 20 minutes and then shuts down. Electrical load transfer **DOES NOT** occur during the exercise cycle (unless an utility power outage occurs).

A switch on the control panel is labeled "Set Exercise" (see page 10). The specific day and the specific time of day this switch is pressed is programmed into the control board memory. This date and time is then used to automatically initiate the system exercise cycle. The LED on the control panel will flash until the set exercise is set.

**To perform the Set Exercise procedure:**

1. Choose the day and time you want your Home Generator System to exercise.
2. On that day and time, press and hold down the "Set Exercise" switch for three seconds.

**NOTE:** The LED will flash until the switch is pressed for three seconds, then the LED will illuminate for 5 seconds and turn off.

For example, if you press the "Set Exercise" switch on Sunday morning at 10:00 AM, the unit will run an exercise cycle the following Sunday at 10:00 AM (+/- 1/2 hour).

**NOTE:** "Set Exercise" will only work if the unit is in the Automatic mode and this exact procedure is followed. The exerciser **will** need to be re-set if the 15 Amp fuse is removed or changed, or if the 12 Volt DC battery is disconnected.

If you want to change the day and time the unit exercises, simply perform the "Set Exercise" procedure at the exact weekday and time you want it to take place.

## FAULT DETECTION SYSTEM

The generator may have to run for long periods of time with no operator present. For that reason, the system is equipped with sensors that automatically shut down the generator in the event of potentially damaging conditions, such as low oil pressure, high oil temperature, over speed, and other conditions.

The generator's control panel has a digital display to show fault codes. An extra LED indicator is installed at a convenient inside location. The LED will turn on and off in a series of blinks if certain problems are detected in your HGS. The blink pattern is repeated with a brief pause between each series. The fault code as shown on the control panel, and the number of blinks on the mounting plate, indicates the detected fault and as follows:

Fault Codes / LED Flashes	Fault Description
FC_1 / 1	Low battery voltage
FC_2 / 2	Low oil pressure
FC_3 / 3	Low voltage
FC_4 / 4	Engine fail to start
FC_5 / 5	Low frequency
FC_6 / 6	Engine overspeed
FC_7 / 7	Oil temperature high
FC_8 / 8	Transfer switch fault

### Reset Fault Detection System

The operator must reset the fault detection system each time it activates. To do so, place the system switch in the **OFF** position for 5 seconds or more. Return the Home Generator System to service after correcting the problem by placing the system switch in the **AUTO** position.

A description of each fault and suggested remedies are as follows:

### No LED - Discharged Battery

This condition is caused by a completely discharged battery. To remedy the problem, remove the 15 Amp fuse and disconnect the battery from the generator. Take the battery to a local battery store for analysis.

Replace the battery after it has been fully recharged, connecting the **NEGATIVE** cable last. Install the 15 Amp fuse.

### Low Battery Voltage

This fault is indicated by fault code FC\_1 and one blink on the LED indicator. This condition occurs if the generator cannot start because the starting battery output power is below that needed to crank the engine. Causes for this problem may be a faulty battery or trickle charger circuit.

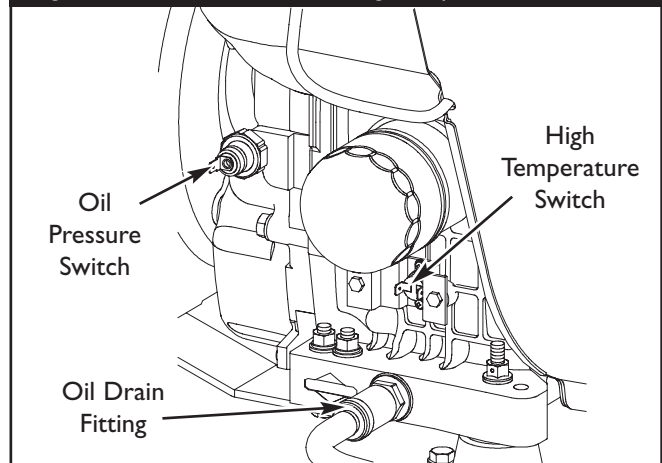
To remedy the problem, contact your local service center to check the battery trickle charge output. Remove the 15 Amp fuse and disconnect the battery from the generator. Take the battery to a local battery store for analysis.

Replace the battery after it has been fully recharged, connecting the **NEGATIVE** cable last. Install the 15 Amp fuse.

### Low Oil Pressure

This fault is indicated by fault code FC\_2 and two blinks on the LED indicator. The unit is equipped with an oil pressure switch (Figure 4) using normally closed contacts that are held open by engine oil pressure during operation. Should oil pressure drop below the 8 psi range, switch contacts close and the engine is shut down.

Figure 4 — Low Oil Pressure & High Temp. Switches



To remedy the low oil pressure condition, add the recommended oil to the **FULL** mark on the dipstick.

If low oil pressure condition still exists, engine will start, then shut down after about 20 seconds and diagnostic LED will flash. In this case, contact an authorized service facility.

## Low Voltage (Generator)

This fault is indicated by fault code FC\_3 and three blinks on the LED indicator. This condition is caused by a restriction in the fuel flow, a broken or disconnected signal lead, a failed alternator winding, the control panel circuit breaker is open, or Home Generator System is overloaded.

To remedy the problem, contact your local service center.

## Engine Fail To Start

This fault is indicated by fault code FC\_4 and four blinks on the LED indicator. This feature prevents the generator from damaging itself if it continually attempts to start in spite of another problem, such as no fuel supply. Each time the system is directed to start, the unit will crank for 10 seconds, pause for 10 seconds, crank for 10 seconds, pause for 10 seconds, and repeat. If the system does not begin producing electricity after approximately 2 minutes, the unit will stop cranking and the LED will blink.

Check to make sure the generator's main circuit breaker is in the ON (closed) position in order for the sensing leads to verify that the unit is running.

The most likely cause of this problem is no fuel supply. Check the inside and outside fuel shut off valves to ensure they are fully open. Other causes could be failed spark plug(s), failed engine ignition, or the engine air filter is clogged. You may need to contact your installer for assistance if you can't remedy these problems.

## Low Frequency

This fault is indicated by fault code FC\_5 and five blinks on the LED indicator. This feature protects devices connected to the transfer switch by shutting the generator down if the engine runs slower than the preset limit.

- If the generator output frequency is below 55 Hz for three seconds, the generator will shut down.

This condition is caused by a failed engine governor or by excessive loads on the generator. To remedy the problem, you may need to contact your installer or local service center for assistance.

## Engine Overspeed

This fault is indicated by fault code FC\_6 and six blinks on the LED indicator. This feature protects devices connected to the transfer switch by shutting the generator down if the engine happens to run faster than the preset limit. The overspeed fault is detected as follows:

- If the generator output frequency is 65-70 Hz, after three seconds, the generator will shut down.
- If the generator output frequency is greater than 70 Hz, the generator will shut down instantly.

This condition is caused by a failed engine governor. To remedy the problem, you should contact your installer or local service center for assistance.

## Oil Temperature High

This fault is indicated by fault code FC\_7 and seven blinks on the LED indicator. The contacts of the temperature switch (Figure 4) are normally open. If the engine oil temperature exceeds approximately 140°C (284°F), the fault is detected and the engine shuts down.

Common causes for this condition include running the unit with all access doors removed, obstructed air inlet or exhaust port, low oil level, or debris in the engine cylinder cooling fins.

To resolve the problem, remove any accumulated debris and obstructions and let the engine cool down. Ensure that the Oil Service door and/or the Control Panel door is installed whenever the unit is running.

## Transfer Switch Fault

This fault is indicated by fault code FC\_8 and eight blinks on the LED indicator (if transfer switch is equipped with fault detection).

To remedy the problem, you should contact your installer or local service center for assistance.

## GENERATOR MAINTENANCE

The generator warranty does not cover items that have been subjected to operator abuse or neglect. To receive full value from the warranty, the operator must maintain the system as instructed in the engine operator's manual.

All adjustments should be made at least once each season. Follow the requirements in the engine operator's manual.

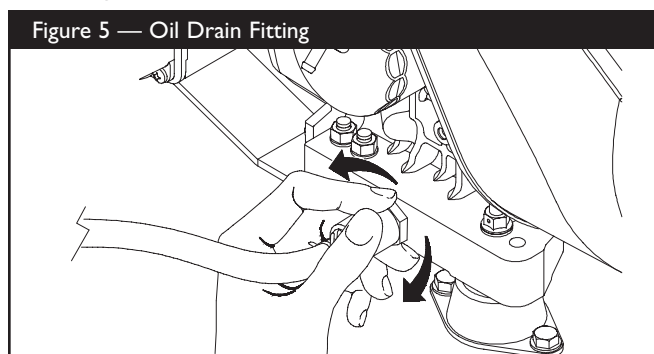
Generator maintenance consists of keeping the unit clean. Operate the unit in an environment where it will not be exposed to excessive dust, dirt, moisture or any corrosive vapors. Cooling air louvers on the enclosure must not become clogged with snow, leaves, or any other foreign material.

Check the cleanliness of the unit frequently and clean when dust, dirt, oil, moisture or other foreign substances are visible on its exterior/interior surface.

**NOTE:** DO NOT use direct spray from a garden hose to clean generator. Water can enter the engine and generator and cause problems.

### Changing Engine Oil

- Place the oil drain tube into an approved container.
- Push in and rotate the oil drain fitting 1/4 turn counterclockwise. Slowly pull outward until oil starts draining (Figure 5). DO NOT pull the oil drain fitting off the engine.



- When the oil has drained, push the oil drain fitting in and rotate 1/4 turn clockwise until it locks in place.
- Slide the oil drain tube up into the clamp on the generator.

### CAUTION

Any attempt to crank or start the engine before it has been properly filled with the recommended oil will result in equipment failure.

- Refer to engine manual for oil fill information.
- Damage to equipment resulting from failure to follow this instruction will void warranty.

#### To fill your engine with oil:

- Follow the synthetic oil grade recommendation and oil fill instructions given in the engine operator's manual.

### To Clean the Generator

- Use a damp cloth to wipe exterior surfaces clean.

### CAUTION

Improper treatment of generator can damage it and shorten its life.

- DO NOT expose generator to excessive moisture, dust, dirt, or corrosive vapors.
- DO NOT insert any objects through cooling slots.
- Use a soft, bristle brush to loosen caked on dirt, oil, etc.
- Use a vacuum cleaner to pick up loose dirt and debris.
- Use low pressure air (not to exceed 25 psi) to blow away dirt. Inspect cooling air slots and openings on the generator. These openings must be kept clean and unobstructed.

### When Calling the Factory

You must have the following information at hand if it is necessary to contact a local service center regarding service or repair of this unit:

1. Obtain the unit Model Number and Serial Number from the unit data decal. See "Know Your Home Generator System" diagram for location.
2. Obtain the engine Model/Type/Code numbers from the engine label. See "Know Your Home Generator System" diagram for location. Please note that the model number may vary slightly from that presented herein.

## STORAGE

The Briggs & Stratton Home Generator System is designed for continuous backup operational duty. As such, there is no need to take any storage precautions. However, if it becomes necessary to take the system out of service for an extended period, call Briggs and Stratton Technical Services at 1-800-743-4115, between 8:00 AM and 5:00 PM CT for specific recommendations.



## TROUBLESHOOTING

### TROUBLESHOOTING

<b>Problem</b>	<b>Cause</b>	<b>Correction</b>
<b>Engine is running, but no AC output is available.</b>	<ol style="list-style-type: none"> <li>1. Circuit breaker open or defective.</li> <li>2. Fault in generator.</li> <li>3. Poor wiring connections or defective transfer switch.</li> </ol>	<ol style="list-style-type: none"> <li>1. Reset or replace circuit breaker.</li> <li>2. Contact local service facility.</li> <li>3. Check and repair.</li> </ol>
<b>Engine runs good at no-load but "bogs down" when loads are connected.</b>	<ol style="list-style-type: none"> <li>1. Short circuit in a connected load.</li> <li>2. Generator is overloaded.</li> <li>3. Shorted generator circuit.</li> <li>4. Fuel Pressure is incorrect.</li> <li>5. Natural gas fuel mixture is incorrect.</li> </ol>	<ol style="list-style-type: none"> <li>1. Disconnect shorted electrical load.</li> <li>2. See "Essential Circuits".</li> <li>3. Contact local service facility.</li> <li>4. See "The Gaseous Fuel System" in the Installation Manual.</li> <li>5. See "The Gaseous Fuel System" in the Installation Manual.</li> </ol>
<b>Engine will not start; or starts and runs rough.</b>	<ol style="list-style-type: none"> <li>1. 15 Amp fuse missing or blown.</li> <li>2. Out of fuel.</li> <li>3. Failed battery.</li> </ol>	<ol style="list-style-type: none"> <li>1. Install (new) 15 Amp fuse. See "Know Your System Control Panel".</li> <li>2. Open fuel valve(s); check propane tank.</li> <li>3. Replace battery.</li> </ol>
<b>Engine shuts down during operation.</b>	<ol style="list-style-type: none"> <li>1. Out of fuel.</li> <li>2. Fault indicator blinking.</li> </ol>	<ol style="list-style-type: none"> <li>1. Check fuel valves, fill propane tank.</li> <li>2. Count blinks and refer to "Fault Detection System".</li> </ol>
<b>Loss of power on essential circuits.</b>	<ol style="list-style-type: none"> <li>1. Generator circuit breaker is open.</li> <li>2. Transfer switch problems.</li> </ol>	<ol style="list-style-type: none"> <li>1. Reset circuit breaker.</li> <li>2. See the transfer switch manual.</li> </ol>

## NOTES

# BRIGGS & STRATTON POWER PRODUCTS GROUP, LLC

## 12KW AND 15KW HOME GENERATOR OWNER WARRANTY POLICY

Effective September 1, 2005 replaces all undated Warranties and all Warranties dated before September 1, 2005

### LIMITED WARRANTY

Briggs & Stratton Power Products Group, LLC will repair or replace, free of charge, any part(s) of the equipment that is defective in material or workmanship or both. Transportation charges on product submitted for repair or replacement under this warranty must be borne by purchaser. This warranty is effective for the time periods and subject to the conditions stated below. For warranty service, find the nearest Authorized Service Dealer in our dealer locator map at [www.briggspowerproducts.com](http://www.briggspowerproducts.com).

THERE IS NO OTHER EXPRESS WARRANTY. IMPLIED WARRANTIES, INCLUDING THOSE OF MERCHANTABILITY AND FITNESS FOR A PARTICULAR PURPOSE, ARE LIMITED TO ONE YEAR FROM PURCHASE, OR TO THE EXTENT PERMITTED BY LAW ANY AND ALL IMPLIED WARRANTIES ARE EXCLUDED. LIABILITY FOR INCIDENTAL OR CONSEQUENTIAL DAMAGES ARE EXCLUDED TO THE EXTENT EXCLUSION IS PERMITTED BY LAW. Some states or countries do not allow limitations on how long an implied warranty lasts, and some states or countries do not allow the exclusion or limitation of incidental or consequential damages, so the above limitation and exclusion may not apply to you. This warranty gives you specific legal rights and you may also have other rights which vary from state to state or country to country.

### WARRANTY PERIOD

Consumer Use	3 years or 1500 Hours, whichever comes first
Commercial Use	None

The warranty period begins on the date of purchase by the first retail consumer or commercial end user, and continues for the period of time stated in the table above. "Consumer use" means personal residential household use by a retail consumer. "Commercial use" means all other uses, including use for commercial, income producing or rental purposes. Once equipment has experienced commercial use, it shall thereafter be considered as commercial use for purposes of this warranty.

NO WARRANTY REGISTRATION IS NECESSARY TO OBTAIN WARRANTY ON BRIGGS & STRATTON PRODUCTS. SAVE YOUR PROOF OF PURCHASE RECEIPT. IF YOU DO NOT PROVIDE PROOF OF THE INITIAL PURCHASE DATE AT THE TIME WARRANTY SERVICE IS REQUESTED, THE MANUFACTURING DATE OF THE PRODUCT WILL BE USED TO DETERMINE THE WARRANTY PERIOD.

An extended fourth year of Consumer Use warranty for the engine and alternator is available by completing the customer registration card and the installation checklist and returning both to Briggs & Stratton Power Products, LLC.

### ABOUT YOUR WARRANTY

We welcome warranty repair and apologize to you for being inconvenienced. Any Authorized Service Dealer may perform warranty repairs. Most warranty repairs are handled routinely, but sometimes requests for warranty service may not be appropriate. For example, warranty service would not apply if equipment damage occurred because of misuse, lack of routine maintenance, shipping, handling, warehousing or improper installation. Similarly, the warranty is void if the manufacturing date or the serial number on the equipment has been removed or the equipment has been altered or modified. During the warranty period, the Authorized Service Dealer, at its option, will repair or replace any part that, upon examination, is found to be defective under normal use and service. This warranty will not cover the following repairs and equipment:

- **Normal Wear:** Outdoor Power Equipment and engines, like all mechanical devices, needs periodic parts and service to perform well. This warranty does not cover repair when normal use has exhausted the life of a part or the equipment.
- **Installation and Maintenance:** This warranty does not apply to equipment or parts that have been subjected to improper or unauthorized installation or alteration and modification, misuse, negligence, accident, overloading, overspeeding, improper maintenance, repair or storage so as, in our judgment, to adversely affect its performance and reliability. This warranty also does not cover normal maintenance such as adjustments, fuel system cleaning and obstruction (due to chemical, dirt, carbon, lime, etc.).
- **Other Exclusions:** This warranty excludes wear items such as oil gauges, o-rings, filters, fuses, or spark plugs, etc., or damage or malfunctions resulting from accidents, abuse, modifications, alterations, or improper servicing or freezing or chemical deterioration. Accessory parts are excluded from the product warranty. This warranty excludes failures due to acts of God and other force majeure events beyond the manufacturers control. Also excluded is used, reconditioned, and demonstration equipment; equipment used for prime power in place of utility power and equipment used in life support applications.


BRIGGS & STRATTON POWER PRODUCTS GROUP, LLC  
JEFFERSON, WI, USA

## TABLA DE CONTENIDO

TABLA DE CONTENIDO.....	20	Conexión de la Batería .....	30
REGLAS DE SEGURIDAD .....	21-22	Sistema de Combustible Gaseoso .....	30
INTRODUCCIÓN .....	23	OPERACIÓN AUTOMÁTICA.....	31
Asistencia para la Instalación .....	23	Verificación de la Operación Automática .....	31
Para el Propietario Doméstico .....	23	Paro del Sistema.....	31
Para el Agente de Ventas/Contratista.....	23	Configuración del Temporizador de Práctica .....	31
ORIENTACIÓN PARA EL PROPIETARIO .....	23	SISTEMA DE DETECCIÓN DE FALLAS.....	32
Factores Relacionados con el Combustible .....	24	Restablecimiento del Sistema de Detección de Fallas	32
Disminución de la Potencia a Temperaturas Elevadas o		No se Enciende el LED - Batería Descargada.....	32
en Lugares Altos.....	24	Baja Tensión de la Batería.....	32
Ubicación del Generador.....	24	Baja Presión de Aceite .....	32
Distancias Desde el Generador .....	24-25	Baja Tensión.....	33
Circuitos Fundamentales .....	25	El Motor no Arranca .....	33
Selección de los Circuitos Fundamentales .....	26	Baja Frecuencia .....	33
DESEMPAQUE .....	26	Sobrevelocidad del Motor .....	33
Inspección al Momento de la Entrega .....	26	Alta Temperatura del Aceite.....	33
Contenido de la Caja.....	26	MANTENIMIENTO DEL GENERADOR.....	34
CONOZCA SU GENERADOR DOMÉSTICO .....	27	Cambio del Aceite del Motor .....	34
CONOZCA EL PANEL DE CONTROL DEL SISTEMA .....	28	Para Limpiar el Generador.....	34
Puertas de Acceso .....	29	Si Llama a la Fábrica .....	34
Para Retirar una Puerta de Acceso .....	29	ALMACENAMIENTO.....	34
Para Instalar una Puerta de Acceso .....	29	REPARACION DE AVERIAS .....	35
ANTES DEL ARRANQUE INICIAL.....	30	NOTAS .....	36
Aceite de Motor.....	30	GARANTÍA .....	37
Consideraciones Sobre el Aceite.....	30		

## CONSERVE ESTAS INSTRUCCIONES

### INSTRUCCIONES IMPORTANTES DE SEGURIDAD

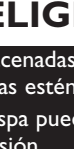
El símbolo de alerta de seguridad () es usado con una palabra (PELIGRO, ADVERTENCIA, PRECAUCIÓN), un mensaje por escrito o una ilustración, para alertarlo acerca de cualquier situación de peligro que pueda existir. **PELIGRO** indica un riesgo el cual, si no se evita, *causará* la muerte o una herida grave.

**ADVERTENCIA** indica un riesgo el cual, si no se evita, *puede* causar la muerte o una herida grave. **PRECAUCIÓN** indica un riesgo, el cual, si no se evita, *puede* causar heridas menores o moderadas. **PRECAUCIÓN**, cuando se usa **sin** el símbolo de alerta, indica una situación que podría resultar en el daño del equipo. Siga los mensajes de seguridad para evitar o reducir los riesgos de heridas e inclusive la muerte.

El fabricante no puede prever todas las posibles circunstancias que pueden implicar riesgos. Por lo tanto, las advertencias que aparecen en este manual y las etiquetas y calcomanías adheridas a la unidad no incluyen todas las posibilidades. Si aplica un procedimiento, método de trabajo o técnica de operación no recomendada específicamente por el fabricante, debe estar seguro de que se trata de una práctica segura para usted y para otras personas. También debe asegurarse de que el procedimiento, método de trabajo o técnica de operación que elija, no haga que el generador se torne inseguro.

**NOTA:** El generador viene equipado con un silenciador del escape con amortiguador de chispas. El operador o el propietario debe mantener el amortiguador de chispas en perfectas condiciones de funcionamiento. En el estado de California, el amortiguador de chispas es un elemento requerido por la ley (Sección 4442 del California Public Resources Code). Otros estados pueden tener leyes similares. En los territorios federales se aplican las leyes federales.

### Símbolos de Peligro y Significados

		
Gases Tóxicos	Descarga Eléctrica	
		
Retroceso	Explosión	Fuego
		
Superficie Caliente	Presión Explosiva	Quemaduras Química

### PELIGRO



Las baterías almacenadas producen hidrógeno explosivo mientras estén siendo recargadas.

Una pequeña chispa puede encender el hidrógeno y causar una explosión.



El fluido de electrolito de la batería contiene ácido y es extremadamente cáustico.

El contacto con el fluido de la batería puede causar quemaduras químicas severas.



Las baterías presentan un riesgo de descarga eléctrica y de elevada corriente de cortocircuito.

- NO deseche la batería tirándola al fuego.
- NO permita ninguna llama abierta, chispa, calor, o encienda un cigarrillo durante y por varios minutos después de haber recargado la batería.
- NO abra ni manipule la batería.
- Lleve puestos las gafas protectoras, delantal y guantes de goma.
- NO lleve relojes, anillos ni otros objetos metálicos.
- Utilice herramientas con mangos aislados.

### ADVERTENCIA



Al generador funcionar, se produce monóxido de carbono, un gas inodoro y venenoso.

El respirar el monóxido de carbono, producirá náusea, desmayo o la muerte.

- Opere el generador SOLAMENTE al aire libre.
- Evite que los gases de escape entren en un espacio cerrado a través de las ventanas, puertas, tomas de aire de ventilación u otras aberturas.

### ADVERTENCIA



Los motores al funcionar producen calor. La temperatura del silenciador y de las áreas cercanas puede alcanzar o pasar los 150°F (65°C).

Quemaduras severas pueden ocurrir al hacer contacto.



Los gases y el calor de escape pueden inflamar los materiales combustibles y las estructuras provocar un incendio.

- NO toque las superficies calientes y evite los gases del escape a alta temperatura.
- Permita que el equipo se enfríe antes de tocarlo.
- Deje un espacio mínimo de 152 cm (5 pies) alrededor del generador; incluya la parte superior.
- El Código de Normativa Federal (CFR, Título 36: Parques, Bosques y Propiedad Pública) obliga a instalar una pantalla apagachispas en los equipos con motor de combustión interno y a mantenerla en buenas condiciones de funcionamiento, conforme a la norma 5100-1C (o posterior) del Servicio Forestal de la USDA. En el Estado de California, la ley exige el uso de una pantalla apagachispas (Sección 4442 del Código de Recursos Públicos de California). En otros estados puede haber leyes similares en vigor.

## REGLAS DE SEGURIDAD

### ⚠️ ADVERTENCIA



Los generadores producen un voltaje muy poderoso. Si no hace tierra apropiadamente con un generador, puede hacer que ocurra un electrocutamiento. Si no aísla el generador de utilidades de energía, puede hacer que los trabajadores de electricidad sufran heridas graves e inclusive la muerte, debido a la retroalimentación de la energía eléctrica.

- Cuando use un generador como poder de energía auxiliar, notifique a la compañía de utilidades.
- NO toque los alambres pelados o receptáculos.
- NO use un generador con cables eléctricos que estén malgastados, rotos, pelados o dañados de cualquier forma.
- NO maneje el generador o cables eléctricos mientras esté parado en agua, descalzo o cuando las manos y los pies estén mojados.
- Si fuera necesario realizar trabajos en cercanías de la unidad mientras está en funcionamiento, párese sobre una superficie seca y aislada para reducir los riesgos de una descarga.
- NO permita que personas descalificadas o niños operen o sirvan al generador.
- En caso de que se produzca un accidente causado por una descarga eléctrica, cierre inmediatamente la fuente de energía eléctrica y contacta administración local. **Evite el contacto directo con la víctima.**
- Antes de realizar cualquier tarea de mantenimiento en el generador, desconecte primero el cable de la batería marcado como **NEGATIVE, NEG o (-)**. Cuando haya terminado, vuelva a conectar el cable en último lugar.
- Una vez que el Generador Doméstico está instalado, el generador puede arrancar manualmente sin ninguna advertencia cada vez que se produce una falla en el suministro de electricidad. Para evitar posibles lesiones, siempre fije el conmutador del sistema en OFF, Y retire el fusible de 15 Amperios **ANTES** de realizar trabajos en el equipo.

### ⚠️ ADVERTENCIA



El Gas Natural y el Propano son extremadamente inflamables y explosivos.



El fuego o una explosión pueden causar quemaduras severas e inclusive la muerte.

- Instale el sistema de suministro de combustible de acuerdo con los códigos de gas combustible que correspondan.
- Antes de poner en servicio el generador de reserva, se deben purgar las líneas del sistema de combustible y se debe probar si presentan pérdidas.
- Una vez instalado el sistema, se lo debe inspeccionar en forma periódica.
- NO se debe permitir que se produzca ninguna pérdida.
- NO haga funcionar el motor si se percibe olor a combustible o si existe alguna otra fuente de ignición.
- NO fume cerca del generador. Limpie en forma inmediata cualquier derrame de aceite. Asegúrese de no dejar materiales combustibles en el compartimiento del generador. Mantenga el área próxima al generador limpia y libre de desperdicios.

### ⚠️ PRECAUCIÓN



Las velocidades de operación en exceso, aumentan los riesgos de heridas y daños al generador. Las velocidades bajan en exceso, imponen una carga muy pesada.

- NO cambie ninguna velocidad determinada. El generador suministra una frecuencia y un voltaje calificado cuando funciona a una velocidad determinada.
- NO modifique al generador en ninguna forma.

### PRECAUCIÓN

El sobrepasar la capacidad del amperaje y vataje del generador, puede dañar al generador y los aparatos eléctricos conectados al mismo.

- Vea "Circuitos Fundamentales" en la página 23.
- Encienda su generador y deje que el motor se estabilice antes de conectar las cargas eléctricas.

### PRECAUCIÓN

El tratamiento inadecuado del generador puede dañarlo y acortar su vida productiva.

- Use el generador solamente con la finalidad para el cual fue diseñado.
- Si usted tiene alguna pregunta acerca de las finalidades de uso del generador, pregúntele a su concesionario o contacte a Briggs and Stratton.
- Opere el generador solamente en superficies niveladas.
- Para la correcta operación del generador es fundamental contar con ventilación y una circulación de aire de refrigeración adecuada y que no sufra obstrucciones.
- La puerta de servicio del aceite o la del panel de control deben estar instaladas siempre que la unidad esté en funcionamiento.
- NO exponga al generador a una humedad excesiva, polvo, suciedad o vapores corrosivos.
- A pesar del diseño seguro del Generador Doméstico, si se opera este equipo en forma imprudente, si no se cumple con el mantenimiento o si se actúa con descuido, se pueden producir lesiones o la muerte.
- Permanezca siempre alerta cuando trabaje con este equipo. Nunca trabaje con este equipo si se siente cansado física o mentalmente.
- NUNCA encienda el motor si el filtro de aire o su cubierta han sido retirados.
- NO inserte cualquier objeto a través de las ranuras de enfriamiento.
- NUNCA utilice el generador ni ninguna de sus piezas como escalera. Si se sube sobre la unidad, sus piezas se pueden ver sobreexigidas y pueden romperse. Esto puede dar como resultado condiciones de operación peligrosas como consecuencias de la fuga de gases del escape, pérdida de combustible, pérdida de aceite, etc.
- Si los aparatos conectados se sobrecalientan, apáguelos y desconéctelos del generador.
- Apague el generador si:
  - Se pierde la salida eléctrica;
  - El equipo produce chispas, humo o emite llamas;
  - La unidad vibra de una manera excesiva.

## CONSERVE ESTAS INSTRUCCIONES

Este manual contiene instrucciones importantes que se deben seguir durante la instalación y el mantenimiento del generador y de la batería.

## INTRODUCCIÓN

**Muchas gracias** por comprar un generador de reserva doméstico (HGS) Briggs & Stratton. Este producto está pensado para utilizarlo como un sistema de reserva doméstico opcional que proporciona una fuente alternativa de energía eléctrica con capacidad para alimentar cargas tales como sistemas de calefacción y refrigeración y sistemas de comunicaciones, que cuando dejan de funcionar a causa de una interrupción de la alimentación eléctrica de la red pueden producir incomodidades o problemas. Este producto no pertenece a la categoría de reserva de emergencia según lo definido por la norma NFPA 70 (NEC).

Briggs and Stratton ha hecho todo lo posible para lograr una instalación segura, eficiente y rentable. Como cada instalación es única, es imposible conocer e informar acerca de todos los procedimientos y métodos mediante los cuales se puede realizar la instalación. Tampoco es posible conocer los riesgos o resultados potenciales de cada método o procedimiento. Por todo lo expuesto,

**La instalación de los Sistemas de Generadores Domésticos (HGS) debe estar a cargo de contratistas especializados en electricidad y plomería, sin excepciones. Las instalaciones deben cumplir estrictamente con todos los códigos, regulaciones y normas industriales aplicables.**

El Generador Doméstico Briggs & Stratton incluye este "Manual del Operario" y un "Manual de Instalación" separado. Estos son dos documentos muy importantes que el propietario debe conservar una vez finalizada la instalación.

## Asistencia para la instalación

### Para el Propietario Doméstico:

Para que pueda tomar decisiones fundamentadas y lograr una comunicación efectiva con el o los contratistas de instalación.

**Lea y comprenda la sección de este manual denominada Orientación para el Propietario ANTES de contratar o iniciar la instalación de su Generador Doméstico (HGS).**

Para coordinar y organizar una instalación adecuada, consulte al comercio en el cual adquirió su Generador Doméstico Briggs & Stratton, a su agente de ventas o a la compañía proveedora de electricidad.

**La garantía del HGS se ANULA si la instalación del sistema no está a cargo de profesionales especializados en electricidad y plomería debidamente certificados y matriculados.**

### Para el Agente de Ventas/Contratista que Realiza la instalación:

Para la mayoría de las aplicaciones, el Manual de Instalación contiene toda la información necesaria para instalar y arrancar adecuadamente el Generador Doméstico. En este Manual del Operario se describe la selección de los circuitos fundamentales, la operación de rutina y los procedimientos de mantenimiento que debe llevar a cabo el propietario.

Si necesita más información, llame al 1-800-743-4115, entre las 8:00 AM y las 5:00 PM hora del centro.

El sistema de control de emisiones para este generador está garantizado para las normas establecidas por la Agencia de Protección Ambiental de EE.UU. y por el Consejo de Recursos del Aire de California (CARB).

## ORIENTACIÓN PARA EL PROPIETARIO

En esta sección se brinda al propietario del Generador Doméstico la información necesaria para lograr la instalación más rentable y satisfactoria posible.

Las ilustraciones se aplican a circunstancias típicas y están destinadas a que usted se familiarice con las opciones de instalación disponibles con su Generador Doméstico. El entendimiento completo de dichas opciones permite tener un control fundamental sobre el costo de la instalación y garantiza su seguridad y satisfacción final.

Los códigos locales, la apariencia, los niveles de ruido, los tipos de combustible y las distancias son los factores fundamentales a tener en cuenta cuando se realiza la negociación con el profesional que tendrá a su cargo la instalación. Recuerde que a medida que la distancia del servicio de electricidad existente y del suministro de combustible aumenta, se debe tener en cuenta una compensación igual en los materiales de cableado y tuberías. Esto es necesario para cumplir con los códigos locales y solucionar caídas en la tensión eléctrica y caídas en la presión del combustible gaseoso.

**Los factores antes mencionados tendrán un efecto directo sobre el precio general de la instalación del Generador Doméstico.**

**NOTA:** En algunas áreas, es posible que deba obtener permisos especiales para las instalaciones eléctricas del Generador Doméstico, permisos de construcción para la instalación de las líneas de gas y permisos para niveles de ruido admisibles. El instalador debe verificar los códigos locales y obtener los permisos correspondientes antes de instalar el sistema.

# INSTALACIÓN

## Factores Relacionados con el Combustible



Un tema importante que afecta a toda la instalación es el tipo de combustible utilizado por el Generador Doméstico. El sistema fue ajustado y probado en la fábrica utilizando gas natural como combustible. También se puede usar propano líquido (LP) como combustible (consulte el Manual de Instalación).

Si bien existen algunos factores específicos inherentes a cada uno de estos combustibles, su ubicación y la duración de las posibles interrupciones del servicio provisto por la compañía proveedora de electricidad deben servir de guía para seleccionar el tipo de combustible. Para instalaciones urbanas, la opción en cuanto al combustible debería ser el gas natural (si está disponible). Para instalaciones alejadas, es posible que un tanque de gas licuado de petróleo (LP) sea lo más apto para sus necesidades.

Para el adecuado funcionamiento del motor, se recomienda seguir estas pautas vinculadas con el combustible:

- Utilice combustible limpio y seco, libre de humedad o cualquier otro material. Si se utilizan combustibles que no cumplan con estos valores recomendados se pueden presentar problemas de funcionamiento.

En motores preparados para funcionar a gas propano (LP), el propano comercial de grado HD5 con un nivel de energía combustible mínimo de 2500 BTU/pie cúbico con un contenido de propileno máximo del 5% y un contenido de gas butano o gases más pesados y un contenido mínimo de propano de 90%.

<b>ADVERTENCIA</b>	
	El Gas Natural y el Propano son extremadamente inflamables y explosivos.
	El fuego o una explosión pueden causar quemaduras severas e inclusive la muerte.
<ul style="list-style-type: none"><li>• Este equipo cuenta con una válvula automática de seguridad de cierre de combustible.</li><li>• NO haga funcionar el equipo si la válvula de cierre de combustible no funciona o ha sido retirada.</li></ul>	

## Disminución de la Potencia a Temperaturas Elevadas o en Lugares Altos

La densidad del aire es menor en alturas elevadas, dando como resultado una menor energía disponible del motor. Específicamente, la potencia del motor disminuirá un 3.5% cada 1000 pies (300 metros) por sobre el nivel del mar y un 1% cada 10° F (5.6°C) por encima de los 77°F (25°C). Tanto usted como el instalador deben tener en cuenta estos factores cuando determinen la carga total del generador.

## Ubicación del Generador

La ubicación física real de su generador de respaldo tiene un efecto directo en:


1. La magnitud de las conexiones necesarias para entregar combustible al generador.
2. La cantidad de cableado requerido para controlar y conectar su generador.

**NOTA:** En el Manual de Instalación se analizan las pautas específicas para la ubicación. Familiarícese con esa información y consulte al instalador. Asegúrese de consultar de qué manera el predio o sitio podría afectar los costos de instalación y el cumplimiento de las normas y los códigos locales.

## Ubicación del Generador de Reserva

Antes de aplicar estas pautas generales, consulte al propietario y comuníquese cualquier factor técnico a tener en cuenta que pudiera influir en sus decisiones y deseos.

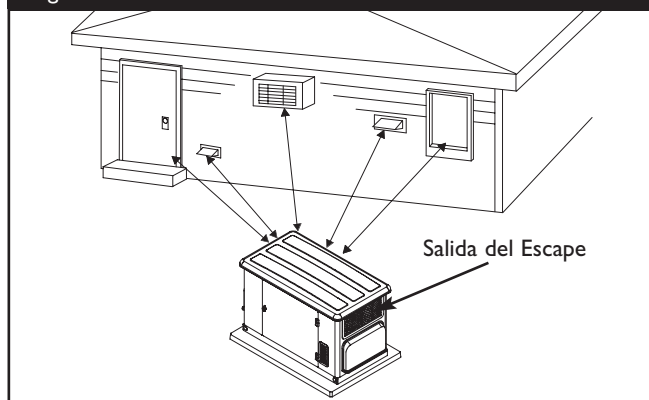
### Distancias Desde el Generador

<b>ADVERTENCIA</b>	
	Los gases y el calor de escape pueden inflamar los materiales combustibles y las estructuras o dañar el depósito de combustible y provocar un incendio.
<ul style="list-style-type: none"><li>• Deje un espacio mínimo de 152 cm (5 pies) alrededor del generador, incluida la parte superior.</li></ul>	

Sitúe el generador en una zona bien ventilada que permita la eliminación de los gases de escape mortales. NO instale el generador en lugares en los que los gases de escape se puedan acumular o entrar en un edificio que pueda estar ocupado. Asegúrese de que los gases de escape no puedan entrar por ventanas, puertas, tomas de aire de ventilación u otras aberturas en un espacio cerrado en el que puedan acumularse (Figura 6). Tenga en cuenta los vientos y las corriente de aire preponderantes cuando elija la ubicación del generador.

<b>ADVERTENCIA</b>	
	Al generador funcionar, se produce monóxido de carbono, un gas inodoro y venenoso. El respirar el monóxido de carbono, producirá náusea, desmayo o la muerte.
<ul style="list-style-type: none"><li>• Opere el generador SOLAMENTE al aire libre.</li><li>• Evite que los gases de escape entren en un espacio cerrado a través de las ventanas, puertas, tomas de aire de ventilación u otras aberturas.</li></ul>	

Figura 6 — Distancias desde el Generador Doméstico





# INSTALACIÓN

## Pautas Generales para la Ubicación del Generador

- La unidad **SÓLO** debe instalarse en exteriores.
- Ubique la unidad en un lugar preparado, que sea plano y cuente con sistemas de drenaje de agua.
- Instale la unidad en un lugar en el que el agua procedente de bombas, canalizaciones de desagüe, canalones de tejado, sistemas de irrigación o aspersores no pueda inundarla, mojar la caja ni penetrar por las aberturas de entrada o salida de aire.
- Instale la unidad de forma que no dificulte ni afecte a servicios tales como el teléfono, la electricidad, el suministro de combustible, el aire acondicionado o el riego, incluidos los servicios ocultos o subterráneos.
- Instale la unidad en un lugar donde las aberturas de entrada y salida de aire no queden obstruidas por hojas, pasto, nieve, etc. Si los vientos preponderantes ocasionan voladuras o arrastres, es posible que deba construir un rompevientos para proteger la unidad.
- Instale el generador lo más cerca posible del sistema de transferencia de energía automático para reducir la longitud del cableado y las canalizaciones.
- Instale el generador lo más cerca posible del suministro de combustible para reducir la longitud de los caños.

**IMPORTANTE:** Es posible que las leyes o los códigos locales regulen la distancia al suministro de combustible.

El generador de reserva se envía ya unido a su placa de montaje. A menos que los códigos locales así lo soliciten, no es necesario construir una losa de concreto.

Si los códigos locales exigen ese requisito, construya una losa de concreto que tenga por lo menos 3 pulgadas (7.5 cm) de espesor y que sea 6 pulgadas (15 cm) más larga y más ancha que la unidad. Coloque la unidad sobre la losa utilizando pernos de anclaje para albañilería de 14" de diámetro (como mínimo), que sean lo suficientemente largos para soportar la unidad.

## Circuitos Fundamentales

Como propietario de un Generador Doméstico, es importante que usted pueda identificar claramente los circuitos de su edificio que resultan "fundamentales" para usted. El Generador Doméstico viene equipado con un conmutador de transferencia automático.

Es importante que el instalador comprenda cuáles son los circuitos que usted desea incluir como "Circuitos Fundamentales".

Dependiendo de la potencia consumida por esos circuitos, la mayoría de ellos o todos pueden pasar al Generador Doméstico por el tiempo que dure la interrupción del servicio eléctrico normal.

La guía de referencia de potencias que se muestra en la Figura 7 puede ayudarle a tomar una decisión. En ella encontrará la potencia utilizada por la mayoría de los dispositivos domésticos de uso habitual. Utilice esa información como guía para seleccionar los circuitos fundamentales. Analice esa información con el instalador y consulte sobre cualquier factor técnico que pudiera tener algún efecto sobre el costo de la instalación.

Figura 7 — Guía de Referencia de Potencia

	Dispositivo	Vataje de operación
<input type="checkbox"/>	Aire acondicionado (12000 Btu)*	1700
<input type="checkbox"/>	Aire acondicionado (24000 Btu)*	3800
<input type="checkbox"/>	Aire acondicionado (40000 Btu)*	6000
<input type="checkbox"/>	Cargador de baterías (20 amperios)	500
<input type="checkbox"/>	Sierra circular (6-1/2")	entre 800 y 1000
<input type="checkbox"/>	Secadora de ropa (eléctrica)*	5750
<input type="checkbox"/>	Secadora de ropa (a gas)*	700
<input type="checkbox"/>	Lavadora de ropa*	1150
<input type="checkbox"/>	Cafetera	1750
<input type="checkbox"/>	Compresor (1 HP)*	2000
<input type="checkbox"/>	Compresor (1/2 HP)*	1400
<input type="checkbox"/>	Compresor (3/4 HP)*	1800
<input type="checkbox"/>	Tenacillas rizadoras	700
<input type="checkbox"/>	Deshumidificador*	650
<input type="checkbox"/>	Manta eléctrica	400
<input type="checkbox"/>	Cocina eléctrica (por elemento)	1500
<input type="checkbox"/>	Sartén eléctrica	1250
<input type="checkbox"/>	Freezer*	700
<input type="checkbox"/>	Ventilador de caldera (3/5 HP)*	875
<input type="checkbox"/>	Sistema de apertura de la puerta del garaje*	entre 500 y 750
<input type="checkbox"/>	Secador de cabello	1200
<input type="checkbox"/>	Taladro de mano	entre 250 y 1100
<input type="checkbox"/>	Plancha	1200
<input type="checkbox"/>	Bomba de chorro*	800
<input type="checkbox"/>	Lamparilla de luz	100
<input type="checkbox"/>	Horno de microondas	entre 700 y 1000
<input type="checkbox"/>	Refrigerador de leche*	1100
<input type="checkbox"/>	Quemador de aceite en una caldera	300
<input type="checkbox"/>	Calefactor de ambientes a aceite (140000 Btu)	400
<input type="checkbox"/>	Calefactor de ambientes a aceite (30000 Btu)	150
<input type="checkbox"/>	Calefactor de ambientes a aceite (85000 Btu)	225
<input type="checkbox"/>	Radio	entre 50 y 200
<input type="checkbox"/>	Refrigerador	700
<input type="checkbox"/>	Aparato para cocimiento lento	200
<input type="checkbox"/>	Bomba sumergible (1 HP)*	2000
<input type="checkbox"/>	Bomba sumergible (1/2 HP)*	1500
<input type="checkbox"/>	Bomba sumergible (1-1/2 HP)*	2800
<input type="checkbox"/>	Bomba de sumidero*	entre 800 y 1050
<input type="checkbox"/>	Sierra de banco (10")*	entre 1750 y 2000
<input type="checkbox"/>	Televisor	entre 200 y 500
<input type="checkbox"/>	Tostadora	entre 1000 y 1650

\*Considere tres (3) veces el vataje indicado para arrancar el dispositivo

## Selección de los Circuitos Fundamentales

Al seleccionar los circuitos fundamentales que pasarán a "Energía de Respaldo", es importante que la suma de las cargas de los circuitos combinados no supere la capacidad de potencia/corriente del generador. Tenga en cuenta lo siguiente para facilitar la selección de los circuitos fundamentales:

Sume la potencia total de todos los dispositivos eléctricos que se van a conectar al mismo tiempo. Este total **NO** debe ser mayor que la capacidad de vataje del generador.

La potencia nominal de la iluminación puede obtenerse observando las lamparillas. La potencia nominal de las herramientas, los electrodomésticos y los motores, por lo general se puede encontrar en una placa de datos o en una calcomanía adherida a cada dispositivo.

Si la potencia en vatios no figura en la placa de características del aparato, herramienta o motor, multiplique los voltios por los amperios para determinar los vatios (voltios x amperios = vatios).

Algunos motores eléctricos (los del tipo de inducción) requieren aproximadamente tres veces más vatios de potencia para arrancar que la que utilizan mientras están en funcionamiento. Esta sobrecarga dura sólo unos pocos segundos. Asegúrese de tener en cuenta este elevado valor de potencia de arranque cuando seleccione los dispositivos eléctricos que serán energizados utilizando el Generador Doméstico.

- Considere los vatios necesarios para arrancar el motor más grande.
- Agregue ese valor a los vatios totales necesarios para el funcionamiento de todas las otras cargas conectadas.

## El Generador Doméstico Briggs & Stratton respeta los siguientes "valores nominales de energía de reserva fija":

El valor nominal de energía de reserva se aplica para proporcionar energía de emergencia para el tiempo que dure la interrupción del servicio de energía normal. No está disponible la capacidad de sobrecarga para este valor nominal.

Estos valores nominales son aplicables a instalaciones alimentadas por una fuente de energía eléctrica normal fiable. Este valor nominal sólo es aplicable a cargas variables con un factor de carga medio del 80% del valor nominal de reserva. El valor nominal de reserva sólo es aplicable para la alimentación eléctrica de reserva opcional cuando el grupo generador sirve como reserva para la fuente de alimentación normal de la compañía eléctrica.

Utilice la "Guía de Referencia de Potencia" provista y marque aquellos circuitos que considere "críticos" o "fundamentales". Tanto usted como el instalador deben tener en cuenta los rangos de temperatura ambiente y de altitud por sobre el nivel del mar cuando determinen la carga total del generador.

**IMPORTANTE:** Si utiliza el interruptor de transferencia de 100A o de 200A con el generador de reserva doméstico, deberá

desconectar todas las cargas eléctricas no esenciales. Si no se desconectan las cargas no esenciales, el generador podría sobrecargarse, lo que provocaría su parada. Algunos ejemplos de cargas no esenciales son los siguientes:

- Bomba de la piscina
- Bañera con calefacción
- Calentadores eléctricos de bañera y / o piscina
- Acondicionadores de aire centrales
- Calentadores eléctricos de agua caliente
- Cocina y / u horno eléctrico
- Máquina de soldar por arco
- Calentadores eléctricos no esenciales

## DESEMPAQUE

Remítase al Manual de Instalación para obtener instrucciones detalladas de desempaque, si así lo desea.

## Inspección al Momento de la Entrega

Luego de retirar la caja, inspeccione cuidadosamente el Generador Doméstico para detectar cualquier daño que pudiera haber ocurrido durante el traslado.

**IMPORTANTE:** Si en el momento de la entrega se detecta alguna pérdida o daño, solicite a la persona o personas encargadas de la entrega que dejen debida constancia en la nota de entrega y que firmen debajo de la nota del consignador donde se informa acerca de la pérdida o daño. Si la pérdida o el daño se detecta después de la entrega, separe los materiales dañados y póngase en contacto con el transportista para llevar a cabo los procedimientos de reclamo. Las piezas perdidas o dañadas no están garantizadas.

## Contenido de la Caja

**El Generador Doméstico incluye lo siguiente:**

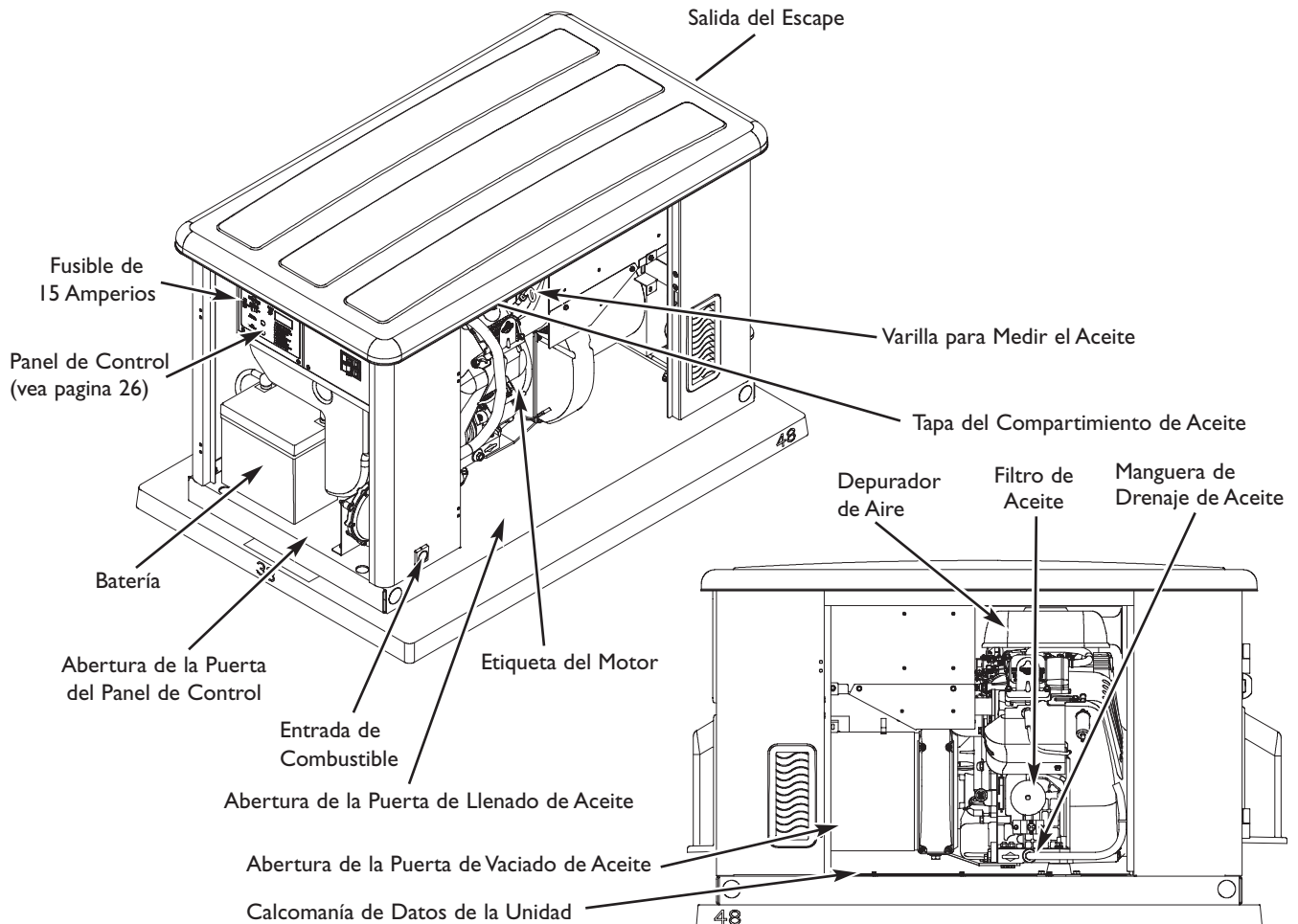
- Sistema de generador de doméstico
- Placa de montaje fijada previamente
- Un tubo de enganche flexible de 24"
- Manual de instalación
- Manual del operario
- Manual ilustrado de listas de piezas
- Lista de verificación de la instalación
- Dos llaves para la puerta de acceso
- Cuatro tapones para los orificios de izamiento
- Tubo para la carga de aceite
- Un fusible de 15 Amperios de repuesto
- Toma bipolar - 240 V, doméstica
- Toma de 10 polos - Cables de detección y control
- Tapa de la admisión de aire del motor
- Tapa del alternador
- Equipo del LED de diagnóstico (rojo LED/placa/tornillos (2))

## CONOZCA SU GENERADOR DOMÉSTICO DE RESERVA



Lea este manual del operario y las reglas de seguridad antes de operar su generador.

Compare las ilustraciones con su Generador para familiarizarse con las ubicaciones de los diferentes controles y ajustes. Conserve este manual para referencias futuras.



**Batería** - La batería sellada de 12 Voltios de c.c. y 55 Amperios/h proporciona la energía necesaria para arrancar el motor. La batería recibe carga lenta y continua mientras el generador no está en funcionamiento.

**Calcomanía de Datos de la Unidad (situada en la base)** - Identifica a la unidad mediante un número de serie.

**Depurador de Aire** - Filtra el aire de entrada a medida que penetra en el motor.

**Etiqueta del Motor** - Identifica el tipo y modelo del motor.

**Filtro de Aceite** - Filtra el aceite del motor para prolongar la vida útil del sistema.

**Fusible de 15 Amperios** - Protege los circuitos de control de c.c. del Generador Doméstico.

**Manguera de Drenaje de Aceite** - Provista para facilitar el cambio de aceite.

**Panel de Control** - Se utiliza para distintas funciones de mantenimiento, operación y prueba. Consulte la sección "CONOZCA EL PANEL DE CONTROL DEL SISTEMA", en la página siguiente.

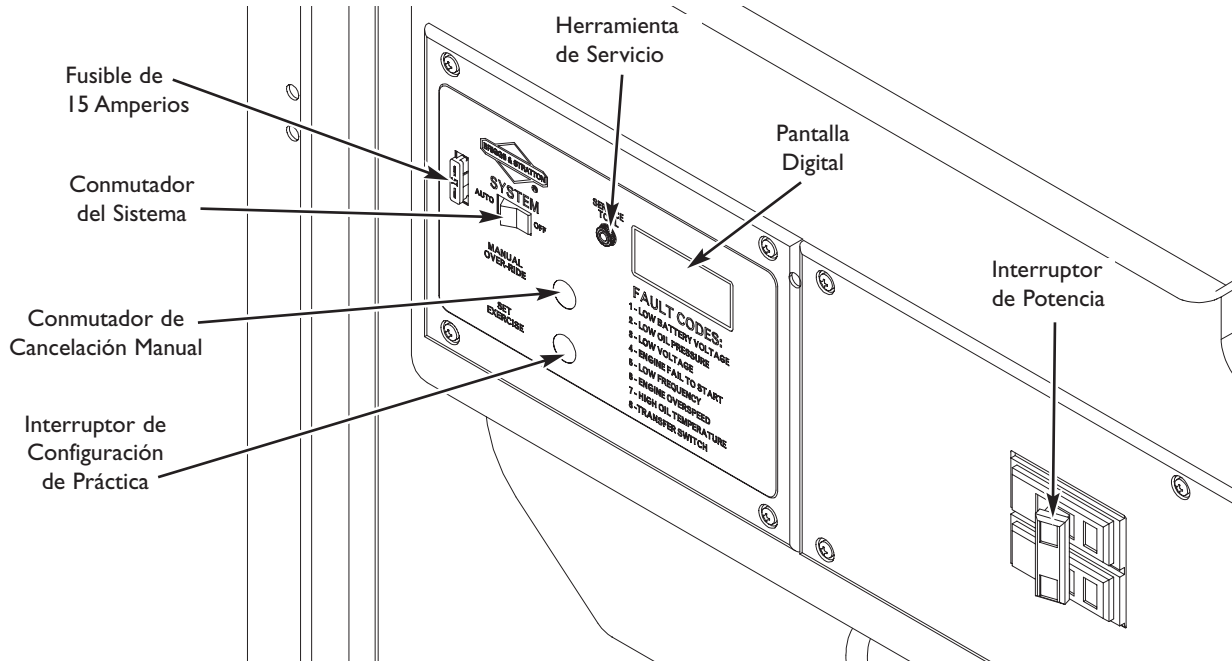
**Salida del Escape** - Silenciador de alto rendimiento que disminuye los ruidos del motor para cumplir con los códigos necesarios para zonas residenciales.

**Tapa del Compartimiento de Aceite** - Se debe retirar para llenar la unidad con el aceite recomendado.

**Varilla para Medir el Aceite** - Se utiliza para controlar el nivel de aceite del motor.

## CONOZCA EL PANEL DE CONTROL DEL SISTEMA

Compare esta ilustración del panel de control con su generador para familiarizarse con la ubicación de estos controles importantes:



**Conmutador de Cancelación Manual** - Con el conmutador del sistema en la posición AUTO, pulse en conmutador de cancelación manual para poner en marcha el generador. Pulse de nuevo el conmutador de cancelación manual para apagar el generador.

**Conmutador del Sistema** - Este dispositivo de dos posiciones es el control más importante en el sistema. Se utiliza de la siguiente manera:

- La posición "**AUTO**" es la posición normal funcionamiento. Si se detecta una interrupción de la alimentación eléctrica de la red, el sistema hace que arranque el generador. Cuando se restablece la alimentación eléctrica de la red, el sistema espera a que se establezcan las temperaturas internas del motor, para el generador y se pone en estado de espera para la próxima vez que se interrumpa la alimentación eléctrica.
- La posición "**OFF**" hace que se pare el generador; impide el arranque de la unidad y reinicializa cualquier fallo detectado.

**Fusible de 15 Amperios** - Protege los circuitos de control de c.c. del Generador Doméstico. Si el fusible está "quemado" (fundido abierto) o si se ha retirado, el motor no se puede arrancar ni arrancar manualmente en forma lenta. Cambie el fusible por otro idéntico: ATO de 15 A.

**Herramienta de Servicio** - SÓLO la debe utilizar el personal de servicio debidamente cualificado.

**Interruptor de Configuración de Práctica** - Se utiliza para configurar la hora y el día de la semana en que se inicia el ciclo de práctica. El ciclo de práctica sólo se produce en el modo AUTO.

**Interruptor de Potencia** - Protege al sistema de condiciones de cortocircuitos y otros excesos de corriente. Debe estar en la posición ON para abastecer de energía al conmutador de transferencia automático.

**Pantalla Digital** - Muestra el número total de horas de funcionamiento del generador y los códigos de fallo. Se utiliza para programar las tareas de mantenimiento y para resolver problemas de funcionamiento del generador de reserva doméstico. Todas las condiciones de fallo se describen en la sección "Sistema de detección de fallos".


# INSTALACIÓN

## Puertas de Acceso

El Generador Doméstico está equipado con un compartimiento que tiene tres puertas de acceso (Figura 8). Los nombres de las puertas están relacionados con el componente importante ubicado detrás de ellas. Comenzando por el lado que tiene la conexión para combustible y siguiendo hacia la derecha, los nombres de las puertas son:

- Puerta de Llenado de Aceite
- Puerta del Panel de Control
- Puerta de Vaciado de Aceite

Cada generador de reserva doméstico está equipado con dos llaves idénticas que accionan los cerrojos de las puertas de acceso.

<b>⚠ ADVERTENCIA</b>	
	Los motores al funcionar producen calor. La temperatura del silenciador y de las áreas cercanas puede alcanzar o pasar los 600°F (316°C). Quemaduras severas pueden ocurrir al hacer contacto.
<ul style="list-style-type: none"><li>• NO toque las superficies calientes.</li><li>• Permita que el equipo se enfríe antes de tocarlo.</li></ul>	

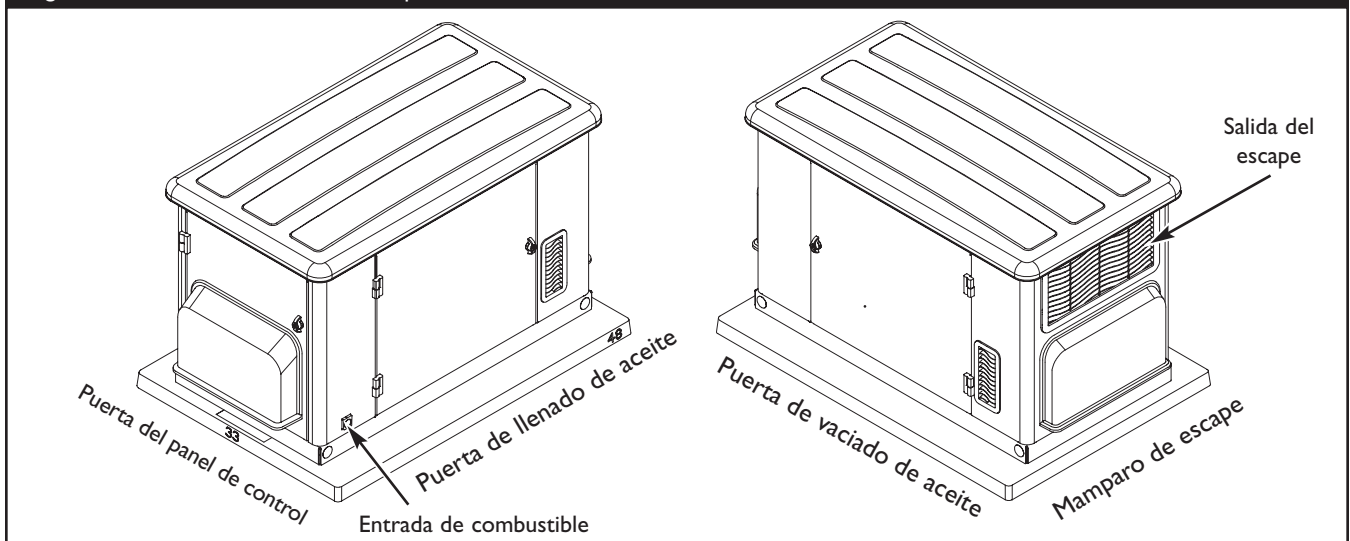
### Para abrir una puerta de acceso:

1. Inserte la llave en la cerradura de la puerta de acceso que desee abrir y gire un cuarto de vuelta hacia la izquierda.
2. Agarre el picaporte de la puerta y gire un cuarto de vuelta hacia la izquierda para abrir. Retire la llave.

### Para cerrar una puerta de acceso:

1. Cierre la puerta y gire su picaporte un cuarto de vuelta hacia la derecha.
2. Inserte la llave en la cerradura de la puerta de acceso y gire un cuarto de vuelta hacia la derecha. Retire la llave.

Figura 8 — Puertas de Acceso al Compartimiento



## ANTES DEL ARRANQUE INICIAL

### Aceite de Motor

Este motor se envía desde la fábrica lleno con el aceite recomendado. Antes de arrancar el motor, verifique el nivel de aceite y asegúrese de que el motor haya recibido el mantenimiento que se describe en la manual del motor.

#### Consideraciones Sobre el Aceite

El Generador Doméstico está equipado con un motor que ha completado el proceso de funcionamiento previo en la fábrica y no requiere el procedimiento tradicional de "entrada forzada".

### PRECAUCIÓN

Cualquier intento para arrancar el motor antes de haberle proporcionado el mantenimiento apropiado con el aceite recomendado, podría ocasionar la falla del motor.

- Consulte el manual del operario del motor para añadir al motor el aceite y el combustible recomendado.
- El daño a la lavadora a presión, resultado de la desatención a esta precaución, no será cubierto por la garantía.

A fin de proporcionar una mayor capacidad de "respaldo", el sistema se llena con aceite sintético (API SJ/CF 5W-30W). Esto permite la operación del sistema en un amplio rango de condiciones climáticas y de temperatura.

**NOTA:** El hecho de utilizar aceite sintético NO modifica los intervalos de cambio de aceite necesarios descritos más adelante en la sección dedicada a mantenimiento en la manual del motor.

### Conexión de la Batería

El generador de reserva doméstico se suministra con una batería con regulación por válvulas de 12 V CC, 55 Ah. Es una batería estanca de plomo-ácido recargable. La batería se suministra instalada en la unidad y sus cables se conectan en fábrica. El fusible de 15 A del generador se ha retirado para evitar el arranque de la unidad durante el transporte.



### PRECAUCIÓN

Si no se instala el fusible tal como se describe en el Manual de Instalación se puede producir el arranque del motor.

- NO instale el fusible de 15 Amperios hasta que no se hayan completado e inspeccionado todas las conexiones de cables y tuberías.

**NOTA:** Estando la batería instalada y terminado todo el cableado hasta el interruptor de transferencia y el generador de reserva doméstico, al aplicar tensión de la red al interruptor automático de transferencia con la unidad en modo AUTO, la batería recibe una carga lenta y continua mientras el motor no está funcionando. El cargador de carga lenta no se puede utilizar para recargar una batería que esté totalmente descargada.

### Sistema de Combustible Gaseoso

- Asegúrese de que todas las conexiones de la cañería de combustible estén ceñidas, firmes y que no presenten pérdidas.
- Asegúrese de que todas las válvulas de cierre estén abiertas (OPEN) y que la presión disponible sea la adecuada (ver el manual de instalación).



### ADVERTENCIA



El Gas Natural y el Propano son extremadamente inflamables y explosivos.



El fuego o una explosión pueden causar quemaduras severas e inclusive la muerte.

- NO haga funcionar el motor si se percibe olor a combustible o si existe alguna otra fuente de ignición.
- Si percibe olor a combustible gaseoso (gas natural o LP) cerca de la unidad, cierre inmediatamente el suministro de gas al generador.
- Póngase en contacto con la compañía proveedora del servicio de gas o con el instalador del sistema para obtener ayuda para determinar el origen del olor.

## OPERACIÓN AUTOMÁTICA

Para seleccionar la operación de transferencia automática, haga lo siguiente:

1. Ponga el seccionador de servicio o el interruptor del cuadro de distribución principal que alimenta tensión de la red al interruptor de transferencia en la posición **ON** (cerrado).
2. Ponga el interruptor principal del generador en la posición **ON**.
3. Ponga el conmutador del sistema del generador en la posición **AUTO**.



### PRECAUCIÓN

Con el interruptor en la posición **AUTO**, el motor puede comenzar a dar vueltas y arrancar en cualquier momento sin previo aviso. Este arranque automático se produce normalmente cuando la tensión de la red desciende por debajo de un nivel predeterminado o durante el ciclo de prueba normal.

- Para evitar posibles lesiones que podrían suceder como consecuencia de un arranque repentino, siempre fije el conmutador del sistema en **OFF**.
- Retire el fusible de 15 Amperios antes de realizar trabajos en el generador, en el conmutador de transferencia o en lugares cercanos a estos equipos.

## Verificación de la Operación Automática

Para verificar la correcta operación automática del sistema, proceda de la siguiente manera:

1. Ponga en el seccionador de servicio o el interruptor del cuadro de distribución principal que alimenta tensión al interruptor automático de transferencia en la posición **OFF**.

El motor comenzará a dar vueltas y arrancará cuando descienda la tensión de la red y transcurra el tiempo determinado por el temporizador. Deje que el sistema realice la secuencia completa de funcionamiento automático.

2. Con la salida del generador alimentando las cargas conectadas, ponga el seccionador de servicio o el interruptor del cuadro de distribución principal que alimenta tensión al interruptor automático de transferencia en la posición **ON**.
3. El interruptor automático de transferencia transferirá de nuevo las cargas a la red después de un tiempo de funcionamiento de cinco minutos como mínimo, restableciéndose la alimentación desde la red.
4. El generador seguirá funcionando durante un minuto más para que se enfríe el motor y luego se parará.

**NOTA:** Si el generador no se para después de transcurrir diez minutos, ponga el conmutador del sistema en la posición **OFF** y póngase en contacto con el instalador o con el centro de servicio local.

De esta manera se completan los procedimientos de prueba de la operación automática. El Generador Doméstico arrancará

automáticamente cuando se pierda la energía de la compañía proveedora de electricidad y proporcionará energía al conmutador de transferencia.

## Paro del Sistema

Para desactivar el sistema de transferencia de energía para realizar tareas de mantenimiento:

1. Fije el conmutador del sistema en la posición **OFF**.
2. Fije el interruptor de potencia principal del generador en la posición **ON**.
3. La tensión de detección de la red está presente. Desconecte la alimentación antes de proceder al servicio quitando los dos fusibles de 2 A del interruptor de transferencia.

## Configuración del Temporizador de Práctica

El Generador Doméstico está equipado con un temporizador de práctica que arranca el sistema y lo prueba una vez cada siete días. Durante este período de práctica, la unidad trabaja durante aproximadamente 20 minutos y luego se apaga. Durante el ciclo de práctica **NO** se produce la transferencia de cargas eléctricas (a menos que se produzca un corte en el suministro de la compañía proveedora de electricidad).

En el panel de control se encuentra un interruptor rotulado "Set Exercise" (configurar práctica) (ilustrado en página 28). El día y la hora específicos en que se presiona este interruptor se programa en la memoria del panel de control. Esta fecha y esta hora se utilizan para iniciar automáticamente el ciclo de práctica del sistema. El LED del panel de control parpadeará hasta que se active la prueba.

**Para llevar a cabo el procedimiento para configurar la práctica (Set Exercise):**

1. Elija el día y la hora en que desea que se realice la práctica del Generador Doméstico.
2. Ese día y a esa hora, pulse y mantenga pulsado el conmutador "Set Exercise" (Preparar prueba) durante tres segundos.

**NOTA:** El LED parpadeará hasta que el conmutador se mantenga pulsado tres segundos. A continuación, el LED se encenderá durante cinco segundos y se apagará.

Por ejemplo, si presiona el interruptor "Set Exercise" el domingo a las 10 de la mañana, la unidad realizará un ciclo de práctica el próximo domingo a las 10 de la mañana.

**NOTA:** La función de configuración de práctica ("Set Exercise") sólo funciona si la unidad se encuentra en el modo Automático y si se cumple este procedimiento en forma estricta. El dispositivo de prueba **deberá** rearmarse si el fusible de 15 A se cambia o retira o si la batería de 12V CC se desconecta.

Si desea cambiar el día y la hora en que se realiza la práctica de la unidad, simplemente realice el procedimiento de configuración de práctica ("Set Exercise") exactamente el día de la semana y a la hora en que desea que se lleve a cabo.

## SISTEMA DE DETECCIÓN DE FALLAS

Es posible que el generador deba funcionar durante períodos prolongados sin la presencia de un operador. Por ese motivo, el sistema está equipado con sensores que automáticamente detienen el generador en caso de que se produzca una situación potencialmente dañina, como por ejemplo una baja en la presión de aceite, una elevada temperatura del aceite, sobrevelocidades y otras condiciones.

El panel de control del generador incluye una pantalla digital que muestra los códigos de fallo. Un indicador LED opcional situado cómodamente en el interior parpadeará reproduciendo un patrón si se detectan determinados problemas en el generador. El patrón se repite con una breve pausa entre cada serie. El código de fallo que se muestra en el panel de control y el número de parpadeos de la placa de montaje indican el fallo detectado:

Código de fallo / Parpadeos del LED	Descripción de la Falla
FC_1 / 1	Baja tensión de la batería
FC_2 / 2	Baja presión de aceite
FC_3 / 3	Baja tensión
FC_4 / 4	El motor no arranca
FC_5 / 5	Baja frecuencia
FC_6 / 6	Sobrevelocidad del motor
FC_7 / 7	Alta temperatura del aceite
FC_8 / 8	Fallo del conector

### Restablecimiento del Sistema de Detección de Fallas

El operador debe restablecer el sistema de detección de fallas cada vez que se activa. Para hacerlo, ponga el conmutador del sistema en la posición **OFF** durante 30 segundos o más. Vuelva a poner el Generador Doméstico en servicio después de corregir el problema. Para hacerlo, ponga el conmutador del sistema en la posición **AUTO**.

A continuación se encuentra la descripción de cada falla y las soluciones sugeridas:

#### No se Enciende el LED - Batería Descargada

Esta condición se debe a que la batería de arranque está completamente muerta. Para solucionar el problema, retire el fusible de 15 Amperios y desconecte la batería del generador. Lleve la batería a una tienda local especializada para que la revisen.

Vuelva a instalar la batería una vez cargada totalmente, conectando el cable NEGATIVO en último lugar. Instale el fusible de 15 A.

#### Baja Tensión de la Batería

Este fallo se indica mediante el código de fallo FC\_1 y un parpadeo del LED. Esta situación se produce cuando el generador no puede arrancar porque la carga de la batería de arranque se encuentra por debajo de la necesaria para poner el motor en funcionamiento. Las causas de este problema podrían ser una batería defectuosa o una falla en el circuito de carga lenta.

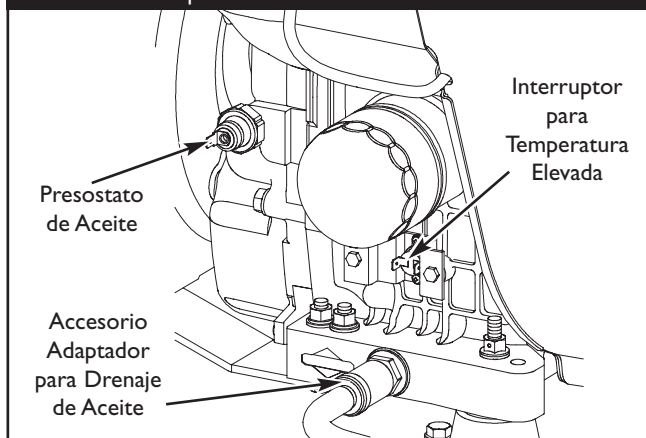
Para solucionar el problema, póngase en contacto con el centro de servicio local para comprobar la salida de carga lenta de la batería. Quite el fusible de 15 A y desconecte la batería del generador. Lleve la batería a una tienda de baterías local para que la analicen.

Vuelva a instalar la batería una vez cargada totalmente, conectando el cable NEGATIVO en último lugar. Instale el fusible de 15 A.

#### Baja Presión de Aceite

Este fallo se indica mediante el código de fallo FC\_2 y dos parpadeos del LED. La unidad está equipada con un presostato de aceite (Figura 9) que utiliza contactos normalmente cerrados que se mantienen abiertos por la presión del aceite del motor durante la operación. En caso de que la presión de aceite caiga por debajo de las 8 libras por pulgada cuadrada (psi), los contactos del presostato se cierran y el motor se apaga.

Figura 9 — Interruptores por Baja Presión de Aceite y Temperatura Elevada



Para solucionar el problema de baja presión de aceite, añada el aceite recomendado hasta que el nivel llegue a la marca FULL (lleno) de la varilla de nivel de aceite.

Si la situación de baja presión de aceite persiste, el motor arrancará y se detendrá luego de aproximadamente 20 segundos. El LED de diagnóstico se encenderá. En ese caso, consulte al servicio técnico autorizado.



## Baja Tensión

Este fallo se indica mediante el código de fallo FC\_3 y tres parpadeo del LED. Esta situación puede ser debida a una restricción del caudal de combustible, un cable de señales roto o desconectado, un fallo de los devanados del alternador, el hecho de estar abierto el interruptor del panel de control o una sobrecarga del generador de reserva doméstico.

Para solucionar el problema, póngase en contacto con el centro de servicio local.

## El Motor no Arranca

Este fallo se indica mediante el código de fallo FC\_4 y cuatro parpadeo del LED. Esta función evita que el generador se dañe si está continuamente intentando arrancar a pesar de que existe otro problema, como por ejemplo que no haya suministro de combustible. Cada vez que se da al sistema la instrucción de arrancar, la unidad realiza el arranque manual durante 10 segundos, luego hace una pausa de 10 segundos, realiza el arranque manual durante 10 segundos, hace una pausa de 10 segundos y repite la acción. Si el sistema no comienza a producir electricidad luego de aproximadamente 2 minutos, la unidad deja de realizar el arranque manual y el LED comienza a titilar.

Asegúrese de que el interruptor principal del generador está en la posición ON (cerrado), de forma que los cables detectores verifiquen que la unidad está en funcionamiento.

La causa más probable de este problema es la falta de suministro de combustible. Verifique las válvulas de cierre de combustible que se encuentran en el interior y en el exterior para asegurarse de que estén completamente abiertas. Otras causas podrían ser las bujías defectuosas, una falla en el sistema de ignición del motor o que el filtro de aire del motor esté obstruido. Es posible que deba consultar al instalador para solicitar asistencia si no logra solucionar estos problemas. Una vez que el problema esté solucionado, restablezca el Sistema de detección de fallas tal como se indicó anteriormente.

## Baja Frecuencia

Este fallo se indica mediante el código de fallo FC\_5 y cinco parpadeo del LED. Esta función protege los dispositivos conectados al conmutador de transferencia apagando el generador si el motor trabaja a una velocidad inferior al límite preestablecido.

- Si la frecuencia de salida del generador es abajo 55 Hz durante tres segundos, el generador se para.

Esta situación se produce como consecuencia de una falla en el regulador del motor o por cargas excesivas en el conmutador de transferencia. Para solucionar el problema, es posible que deba consultar al instalador o a los Servicios Técnicos de Briggs and Stratton para obtener asistencia. Una vez que el problema esté solucionado, restablezca el Sistema de detección de fallas tal como se indicó anteriormente.

## Sobrevelocidad del Motor

Este fallo se indica mediante el código de fallo FC\_6 y seis parpadeo del LED. Esta función protege los dispositivos conectados al conmutador de transferencia apagando el generador si el motor trabaja a una velocidad superior al límite preestablecido. La falla por sobrevelocidad se detecta de la siguiente manera:

- Si la frecuencia de salida del generador es 65-70 Hz, durante tres segundos, el generador se para.
- Si la frecuencia de salida del generador es más que 70 Hz, el generador se para inmediatamente.

Esta condición se debe a una falla en el regulador del motor. Para solucionar el problema, deberá consultar al instalador o a los Servicios Técnicos de Briggs and Stratton para obtener asistencia. Una vez que el problema esté solucionado, restablezca el Sistema de detección de fallas tal como se indicó anteriormente.

## Alta Temperatura del Aceite

Este fallo se indica mediante el código de fallo FC\_7 y siete parpadeo del LED. Los contactos del interruptor de temperatura (Figura 9) están normalmente abiertos. Si la temperatura del motor excede aproximadamente los 140° C (284° F), se detecta la falla y el motor se apaga.

Entre las causas más comunes de esta situación se encuentran la operación del motor con todas las puertas de acceso retiradas, la obstrucción de la entrada de aire o de la salida del escape o suciedad en las aletas de enfriamiento del cilindro del motor. Para solucionar el problema, retire la suciedad acumulada o las obstrucciones y deje que el motor se enfríe. Asegúrese de que la puerta de servicio del aceite o la del panel de control se encuentren instaladas siempre que la unidad esté en funcionamiento. Una vez que el problema esté solucionado, restablezca el Sistema de detección de fallas tal como se indicó anteriormente.

## Fallo del Conectador

Este fallo se indica mediante el código FC\_8 y ocho parpadeos del LED (si el conectador dispone de sistema de detección de fallos).

Para solucionar el problema, póngase en contacto con su instalador o con el centro de servicio local.

## MANTENIMIENTO DEL GENERADOR

La garantía del generador no cubre artículos que hayan sido sometidos al abuso o negligencia por parte del operador. Para recibir el valor total de la garantía, el operador debe dar mantenimiento al sistema de acuerdo con las indicaciones del manual del operario del motor.

Todos los ajustes se deben llevar a cabo al menos una vez por temporada. Siga los requisitos del manual del operario del motor.

El mantenimiento del generador consiste en conservar la unidad limpia y seca. Opere y almacene la unidad en un ambiente limpio y seco donde no será expuesta al polvo, suciedad, humedad o vapores corrosivos. Las ranuras del aire de enfriamiento del generador no deben estar tapadas con nieve, hojas, o cualquier otro material extraños.

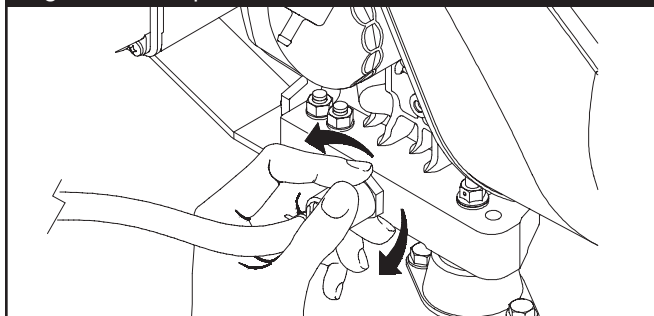
Verifique que la unidad sea limpiada con frecuencia y lávela cuando observe polvo, suciedad, aceite, humedad u otras sustancias extrañas en la superficie exterior.

**NOTA:** NO recomendamos el uso de mangueras de jardín para limpiar el generador. El agua podría introducirse en el motor y causar problemas.

### Cambio del Aceite del Motor

- Coloque el tubo de vaciado de aceite en un recipiente homologado.
- Presione y gire el adaptador de vaciado de aceite 1/4 de vuelta hacia la izquierda. Tire lentamente hasta que empiece a salir el aceite (Figura 10). NO separe el adaptador de vaciado de aceite del motor.

Figura 10 — Adaptador de Vaciado de Aceite



- Una vez vaciado todo el aceite, presione el adaptador de vaciado de aceite y gírelo 1/4 de vuelta hacia la derecha hasta que quede bloqueado.
- Deslice el tubo de vaciado de aceite hacia arriba para situarlo en el soporte del generador.

#### Para llenar el motor de aceite:

- Utilice aceite sintético del grado recomendado y siga las instrucciones de llenado de aceite que se indican en el manual del operario del motor.

### PRECAUCIÓN

Cualquier intento para arrancar el motor antes de haberle proporcionado el mantenimiento apropiado con el aceite recomendado, podría ocasionar la falla del motor.

- Consulte el manual del operario del motor para añadir al motor el aceite y el combustible recomendado.
- El daño a la lavadora a presión, resultado de la desatención a esta precaución, no será cubierto por la garantía.

### Para Limpiar el Generador

- Utilice un trapo húmedo para limpiar las superficies exteriores.

### PRECAUCIÓN

El tratamiento inadecuado del generador puede dañarlo y acortar su vida productiva.

- NO esponga al generador a una humedad excesiva, polvo, suciedad o vapores corrosivos.
- NO inserte cualquier objeto a través de las ranuras de enfriamiento.
- Puede usar un cepillo de cerdas suaves para retirar la suciedad endurecida, aceite, etc.
- Puede usar una máquina aspiradora para eliminar suciedad y residuos sueltos.
- Puede usar aire a baja presión (que no exceda los 25 psi) para eliminar la suciedad. Inspeccione las ranuras para aire de enfriamiento y la apertura del generador. Estas aperturas deberán mantenerse limpias y despejadas.

### Si Llama a la Fábrica

En caso de que sea necesario consultar al Servicio técnico de Briggs & Stratton respecto a servicios o reparaciones de esta unidad, usted debe tener disponible la siguiente información:

1. Obtenga el número de serie y el número de modelo de la calcomanía de datos adherida a la unidad. Vea el diagrama denominado "Conozca su Generador Doméstico" (página 25) para determinar la ubicación.
2. Obtenga los números de código/tipo/modelo de motor de la etiqueta del motor. Vea el diagrama denominado "Conozca su Generador Doméstico" (página 25) para determinar la ubicación. Tenga en cuenta que el número de modelo puede variar con respecto al que se muestra en este documento.

### ALMACENAMIENTO

El Generador Doméstico Briggs & Stratton está diseñado para una operación de respaldo continuo. Como tal, no hay necesidad de tomar precaución alguna con relación al almacenamiento. Sin embargo, si fuera necesario mantener el sistema fuera de servicio durante un tiempo prolongado, llame al Servicio técnico de Briggs and Stratton al 1-800-743-4115, entre las 8:00 AM y las 5:00 PM hora del centro, para obtener recomendaciones específicas.

## REPARACION DE AVERIAS

Problema	Causa	Corrección
<b>El motor está funcionando pero no hay salida de c.a. disponible.</b>	<ol style="list-style-type: none"> <li>1. El interruptor automático está abierto o defectuoso.</li> <li>2. Falla en el generador.</li> <li>3. Las conexiones de cableado son inadecuadas o el conmutador de transferencia está defectuoso.</li> </ol>	<ol style="list-style-type: none"> <li>1. Restablezca el interruptor automático o reemplácelo.</li> <li>2. Consulte al servicio de Briggs &amp; Stratton.</li> <li>3. Verifíquelo y repárelo.</li> </ol>
<b>El motor funciona cuando no tiene carga pero "se atasca" cuando se conectan las cargas.</b>	<ol style="list-style-type: none"> <li>1. Hay un cortocircuito en una de las cargas conectadas.</li> <li>2. El generador está sobrecargado.</li> <li>3. Hay un circuito del generador en cortocircuito.</li> <li>4. La presión del combustible es incorrecta.</li> <li>5. La mezcla del gas natural (NG) es incorrecta.</li> </ol>	<ol style="list-style-type: none"> <li>1. Desconecte la carga que está en cortocircuito.</li> <li>2. Vea la sección titulada "Circuitos Fundamentales".</li> <li>3. Consulte al servicio de Briggs &amp; Stratton.</li> <li>4. Consulte la sección "El sistema de combustible gaseoso" del Manual de instalación.</li> <li>5. Consulte la sección "El sistema de combustible gaseoso" del Manual de instalación.</li> </ol>
<b>El motor no arranca o arranca pero funciona con dificultad.</b>	<ol style="list-style-type: none"> <li>1. Falta un fusible de 15 Amperios o está fundido.</li> <li>2. No hay combustible.</li> <li>3. La batería presenta una falla.</li> </ol>	<ol style="list-style-type: none"> <li>1. Instale un fusible de 15 Amperios (nuevo).</li> <li>2. Abra la o las válvulas de combustible; verifique el tanque de propano.</li> <li>3. Reemplace la batería.</li> </ol>
<b>El motor se apaga durante la operación.</b>	<ol style="list-style-type: none"> <li>1. No hay combustible.</li> <li>2. El indicador de fallas se enciende en forma intermitente.</li> </ol>	<ol style="list-style-type: none"> <li>1. Verifique las válvulas de combustible, llene el tanque de propano.</li> <li>2. Cuente los parpadeos y consulte la sección "Sistema de Detección de Fallas".</li> </ol>
<b>Pérdida de potencia en los circuitos fundamentales.</b>	<ol style="list-style-type: none"> <li>1. El interruptor automático del generador está abierto.</li> <li>2. Problemas en el interruptor de transferencia.</li> </ol>	<ol style="list-style-type: none"> <li>1. Restablezca el interruptor automático.</li> <li>2. Consulte el manual del interruptor de transferencia.</li> </ol>



## POLÍTICA DE GARANTÍA PARA EL PROPIETARIO DEL GENERADOR DOMÉSTICO DE 12 KW Y 15 KW DE BRIGGS & STRATTON POWER PRODUCTS GROUP, LLC

Fecha de entrada en vigor: 1 de Septiembre de 2005. Sustituye a todas las garantías sin fecha y a las de fecha anterior al 1 de Septiembre de 2005

### GARANTÍA LIMITADA

Briggs & Stratton Power Products Group, LLC reparará o sustituirá sin cargo alguno cualquier componente del equipo que presente defectos de materiales y/o mano de obra. Los gastos de transporte de la producto enviadas para reparar o sustituir conforme a los términos de esta garantía correrán a cargo del comprador. El periodo de vigencia y las condiciones de esta garantía son los que se estipulan a continuación. Para obtener servicio en garantía, localice el distribuidor de servicio autorizado más próximo en nuestro mapa de distribuidores, en [www.briggspowerproducts.com](http://www.briggspowerproducts.com).

NO EXISTE NINGUNA OTRA GARANTÍA EXPLÍCITA. LAS GARANTÍAS IMPLÍCITAS, INCLUIDAS LAS DE COMERCIABILIDAD O IDONEIDAD PARA UN FIN CONCRETO, SE LIMITAN A UN AÑO DESDE LA FECHA DE COMPRA O AL LÍMITE DE TIEMPO PERMITIDO POR LA LEY. QUEDAN EXCLUIDAS TODAS LAS GARANTÍAS IMPLÍCITAS QUEDA EXCLUIDA LA RESPONSABILIDAD POR DAÑOS SECUNDARIOS Y DERIVADOS HASTA EL LÍMITE PERMITIDO POR LA LEY. Algunos países o estados no permiten limitar la duración de una garantía implícita ni excluir o limitar los daños secundarios y derivados. Por tanto, es posible que las limitaciones y exclusiones mencionadas no sean aplicables en su caso. Esta garantía le otorga determinados derechos legales y es posible que tenga otros derechos que pueden variar de un país o estado a otro.

#### PERÍODO DE GARANTÍA

Uso del consumidor	3 años o 1500 horas, lo que suceda antes
Uso comercial	ninguno

El período de garantía comienza en la fecha de compra del primer consumidor o usuario comercial final y se prolonga durante el tiempo especificado en la siguiente tabla. "Uso del consumidor" significa uso doméstico personal por parte de un consumidor final. "Uso comercial" significa cualquier otro uso, incluidos los usos con fines comerciales, de generación de ingresos o alquiler. Una vez que el equipo se haya usado con fines comerciales, se considerará como equipo de uso comercial a efectos de esta garantía.

NO ES NECESARIO REGISTRAR LA GARANTÍA PARA OBTENER SERVICIO DE BRIGGS & STRATTON PRODUCTS. GUARDE SU RECIBO DE COMPRA. SI NO APORTA LA PRUEBA DE LA FECHA DE COMPRA INICIAL, SE UTILIZARÁ LA FECHA DE FABRICACIÓN DEL PRODUCTO PARA DETERMINAR EL PERÍODO DE GARANTÍA.

Para conseguir una ampliación de cuatro años de la garantía de uso de consumidor del motor y el alternador, cumplimente la tarjeta de registro del cliente y la lista de control de la instalación y envíelas a Briggs & Stratton Power Products, LLC.

### ACERCA DE LA EQUIPO GARANTÍA

Esperamos que disfrute de nuestra garantía y le pedimos disculpas por las molestias causadas. Cualquier distribuidor de servicio autorizado puede llevar a cabo reparaciones en garantía. La mayoría de las reparaciones en garantía se gestionan normalmente, pero algunas veces la solicitud de servicio en garantía puede no ser procedente. Por ejemplo, la garantía no será válida si el equipo presenta daños debidos al mal uso, la falta de mantenimiento, el transporte, la manipulación, el almacenamiento o la instalación inadecuados. De manera similar, la garantía quedará anulada si se ha borrado la fecha de fabricación o el número de serie del equipo, o si el equipo ha sido alterado o modificado. Durante el período de garantía, el distribuidor de servicio autorizado podrá reparar o sustituir, a su libre elección, cualquier pieza que, previa inspección, sea defectuosa en condiciones normales de uso y servicio. Esta garantía no cubre las reparaciones y equipos que se detallan a continuación:

- **Desgaste normal:** Al igual que cualquier otro aparato mecánico y motores, los equipos de uso en exteriores necesitan piezas y mantenimiento periódicos para funcionar correctamente. Esta garantía no cubre las reparaciones cuando el uso normal haya agotado la vida útil de una pieza concreta del equipo.
- **Instalación y mantenimiento:** Esta garantía no cubre los equipos ni las piezas cuya instalación sea incorrecta o no haya sido autorizada, ni aquellos que hayan sido objeto de cualquier tipo de alteración, mal uso, negligencia, accidente, sobrecarga, exceso de velocidad o mantenimiento, reparación o almacenamiento inadecuados que, a nuestro juicio, haya afectado negativamente a su funcionamiento y su fiabilidad. La garantía tampoco cubre el mantenimiento normal, como los ajustes y la limpieza, o la obstrucción del sistema de combustión (debido a materias químicas, suciedad, carbón, cal, etc.).
- **Otras exclusiones:** Quedan excluidos de esta garantía el desgaste de elementos tales como medidores de aceite, juntas tóricas, filtros, fusibles, bujías, etc. así como los daños derivados de accidentes, uso indebido, modificaciones, alteraciones, servicio inadecuado, congelación o deterioro químico. Quedan excluidos de la garantía del producto los elementos accesorios. Esta garantía excluye los fallos debidos a hechos fortuitos y a otros acontecimientos de fuerza mayor que escapen al control del fabricante. También se excluyen los equipos usados o reacondicionados y los destinados a demostraciones; los equipos utilizados como fuente principal de energía en lugar de un servicio público y los equipos sanitarios destinados al mantenimiento de las constantes vitales.

BRIGGS & STRATTON POWER PRODUCTS GROUP, LLC  
JEFFERSON, WI, EE.UU

## TABLE DES MATIÈRES

TABLE DES MATIÈRES.....	38	AVANT LE DÉMARRAGE INITIAL.....	48
RÈGLES DE SÉCURITÉ.....	39-40	Huile à Moteur.....	48
INTRODUCTION.....	41	Points Importants Concernant l'Huile.....	48
Aide à l'Installation.....	41	Branchement de la Batterie.....	48
Au Propriétaire Résidentiel.....	41	Système de Combustible Gazeux.....	48
Au Détaillant/à l'Entrepreneur Procédant à		FONCTIONNEMENT AUTOMATIQUE.....	49
l'Installation.....	41	Vérification du Fonctionnement Automatique.....	49
CONSEILS AU PROPRIÉTAIRE.....	41	Arrêt du Système.....	49
Facteurs Relatifs au Combustible.....	42	Réglage de la Minuterie du Cycle d'Exercice.....	49
Baisse de Puissance à Haute Altitude ou à Température		SYSTÈME DE DÉTECTION DES PANNES.....	50
Élevée.....	42	Réarmement du Système de Détection des Pannes..	48
Emplacement de la Génératrice.....	42	Aucun Clignotement - Unité Non Fonctionnelle....	50
Dégagement Autour de la Génératrice.....	42	Tension de la Batterie Faible.....	50
Circuits Essentiels.....	43	Faible Pression d'Huile.....	50
Sélection des Circuits Essentiels.....	44	Tension Basse.....	51
DÉBALLAGE.....	44	Moteur ne Démarre Pas.....	51
Vérification de la Livraison.....	44	Fréquence Basse.....	51
Contenu de la Boîte.....	44	Emballement du Moteur.....	51
FAMILIARISEZ-VOUS AVEC VOTRE UNITÉ DE GÉNÉRATION		Température de l'Huile Élevée.....	51
RÉSIDENTIELLE.....	45	ENTRETIEN DE LA GÉNÉRATRICE.....	52
FAMILIARISEZ-VOUS AVEC LE TABLEAU DE COMMANDE DE		Vidange de l'Huile Moteur.....	52
VOTRE SYSTÈME.....	46	Pour Nettoyer la Génératrice.....	52
Portes d'Accès.....	47	Communications avec le Fabricant.....	52
Pour Enlever une Porte d'Accès.....	47	REMISAGE.....	52
Pour Installer une Porte d'Accès.....	47	DÉPANNAGE.....	53
		REMARQUES.....	54-55
		GARANTIE.....	56

## VEUILLEZ CONSERVER CES INSTRUCTIONS

### DIRECTIVES DE SÉCURITÉ IMPORTANTES

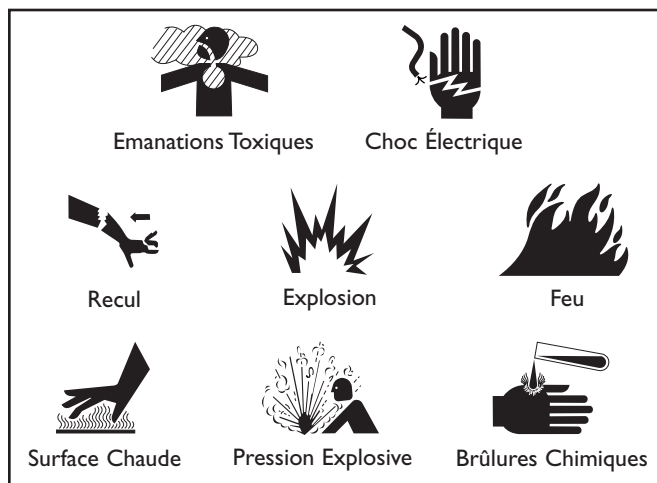
Le symbole indiquant un message de sécurité est accompagné d'un mot indicateur (DANGER, ATTENTION, AVERTISSEMENT), d'un message illustré et/ou d'un message de sécurité visant à vous avertir des dangers. **DANGER** indique un danger qui, s'il n'est pas évité, *provoquera* des blessures graves, voire fatales.

**AVERTISSEMENT** indique un danger qui, s'il n'est pas évité, *peut* provoquer des blessures graves, voire fatales. **ATTENTION** indique un danger qui, s'il n'est pas évité, *peut* provoquer des blessures mineures ou légères. Le mot **ATTENTION**, lorsqu'il est utilisé **sans** le symbole d'alerte, indique une situation pouvant endommager l'équipement. Suivez les messages de sécurité pour éviter ou réduire les risques de blessures ou de mort.

Le fabricant ne peut anticiper toutes les circonstances potentielles pouvant comporter un danger. Par conséquent, les avertissements contenus dans le présent manuel, ainsi que les plaques et les décalques apposés sur l'unité n'englobent pas toutes les possibilités. Si vous utilisez une procédure, une méthode de travail ou une technique d'opération non spécifiquement recommandée par le fabricant, vous devez vous assurer qu'elle ne compromet pas votre sécurité ni celle des autres. Vous devez également vous assurer que la procédure, la méthode de travail ou la technique d'opération que vous choisissez ne rende pas la génératrice dangereuse.

**REMARQUE:** Votre génératrice est munie d'un silencieux pare-étincelles. Le propriétaire/opérateur doit maintenir l'écran pare-étincelles en bon état. Dans l'État de la Californie, un pare-étincelles est requis par la Loi (Section 4442 du California Public Resources Code). Il se peut que d'autres États aient des lois semblables. Les lois fédérales s'appliquent sur les terres fédérales.

### Symboles de Danger et Moyens



### ⚠ DANGER



Les batteries d'accumulateur produisent du gaz hydrogène explosif lorsqu'elles se rechargent. La plus petite étincelle enflammera l'hydrogène et provoquera une explosion.



Le liquide d'électrolyte de l'accumulateur contient de l'acide et est extrêmement caustique.



Le contact avec le liquide de l'accumulateur provoquera de graves brûlures chimiques.

Toute batterie présente un risque de choc électrique et de courant de court-circuit élevé.

- NE jetez PAS la batterie dans le feu.
- NE laissez aucune flamme, étincelle, source de chaleur ou cigarette allumée pendant ou plusieurs minutes suivant la charge de l'accumulateur.
- N'ouvrez PAS ni N'endommagez la batterie.
- Portez des lunettes de protection, un tablier et des gants en caoutchouc.
- Enlevez votre montre, vos bagues et tout autre objet de métal.
- Utilisez des outils avec des poignées isolées.

### ⚠ AVERTISSEMENT



Le générateur, lorsqu'il fonctionne, produit du monoxyde de carbone, un gaz toxique inodore et incolore.

Le fait de respirer du monoxyde de carbone provoque des nausées, des évanouissements ou peut être fatal.

- Faites fonctionner le générateur SEULEMENT à l'extérieur.
- Évitez que les gaz d'échappement entrent dans un espace restreint, par une fenêtre, une porte, une prise d'aération ou toute autre ouverture.

### ⚠ AVERTISSEMENT



Les moteurs en fonctionnement produisent de la chaleur. La température du silencieux et des endroits à proximité peuvent atteindre, voire dépasser 150°F (65°C).

Le contact de ces pièces risque de causer de graves brûlures.



La chaleur et les gaz d'échappement peuvent enflammer des matériaux combustibles et les structures ainsi que causer entraînent un incendie.

- NE TOUCHEZ PAS aux pièces chaudes et évitez le contact avec les gaz d'échappement.
- Laissez l'équipement refroidir avant de le toucher.
- Laissez un dégagement d'au moins 1,52 m (5 pi) tout autour de la génératrice, y compris au-dessus.
- Le Code of Federal Regulation (CFR) Title 36 Parks, Forests, and Public Property exige que de l'équipement alimenté par un moteur à combustion interne soit doté d'un pare-étincelles et constamment maintenu en bon état fonctionnement, conformément à la norme de service 5100-IC de la USDA Forest ou à une révision de celle-ci. Dans l'État de la Californie, un pare-étincelles est requis en vertu de la section 4442 du California Public Resources Code. Il se peut que d'autres États aient des lois semblables aux terres fédérales. Si vous équipez le silencieux d'un pare-étincelles, il doit être en bon état de fonctionnement.

## RÈGLES DE SÉCURITÉ

### ⚠ AVERTISSEMENT



Le générateur produit une tension élevée.  
NE PAS relier le générateur à la terre risque de provoquer des électrocutions.  
NE PAS isoler le générateur de l'installation électrique risque de provoquer des blessures ou même d'être fatal pour les ouvriers électriciens et de causer des dommages au générateur dus à un "backfeed" d'énergie électrique.

- Lorsque vous utilisez le générateur comme source d'énergie de secours, il est nécessaire d'aviser les services publics d'électricité.
- NE touchez PAS les fils dénudés ou les boîtiers.
- N'UTILISEZ PAS le générateur avec des cordons électriques usés, effilochés ou dénudés, ou abîmés de quelque sorte que ce soit.
- NE manipulez PAS le générateur ou les cordons d'alimentation lorsque vous êtes debout dans l'eau, pieds nus ou avec les mains ou les pieds humides.
- Si vous devez travailler autour d'une unité alors qu'elle est en marche, placez-vous sur une surface sèche isolée afin de réduire les risques de choc électrique.
- NE laissez PAS des personnes non qualifiées ou des enfants se servir ou réparer le générateur.
- En cas d'accident causé par un choc électrique, procédez immédiatement à la mise hors tension de l'alimentation électrique et contacter des autorités locales. **Évitez tout contact direct avec la victime.**
- Avant de procéder à tout entretien sur la génératrice, débranchez tout d'abord le câble de batterie identifié par **NEGATIVE, NEG** ou **(-)**. Rebranchez le câble après avoir terminé.
- Une fois votre groupe électrogène installé, la génératrice peut se lancer et démarrer sans avertissement lorsque survient une panne électrique. Pour prévenir des blessures potentielles, **AVANT** de travailler sur l'équipement, réglez toujours l'interrupteur de système sur **OFF**, **ET** enlevez le fusible de 15 Ampères.

### ⚠ AVERTISSEMENT



Le gaz propane et le gaz naturel sont extrêmement inflammables et explosifs.



Le feu ou l'explosion risque de provoquer des blessures graves, pouvant être fatales.

- Installez le système d'alimentation de combustible conformément aux codes applicables aux combustibles et aux gaz.
- Avant de mettre en service le génératrice d'état d'attente, il faut purger adéquatement les lignes d'alimentation de combustible et les tester pour les fuites.
- Une fois le système installé, vous devez vérifier le système de combustible sur une base régulière.
- Aucune fuite ne peut être tolérée.
- NE faites PAS fonctionner le moteur si vous sentez une odeur de combustible ou si d'autres conditions d'explosion sont présentes.
- Abstenez-vous de fumer près de la génératrice. Essayez immédiatement tout déversement d'huile. Assurez-vous de ne laisser aucun matériau combustible dans le compartiment de la génératrice. Gardez la zone autour de la génératrice propre et sans débris.

### ⚠ ATTENTION



Les vitesses de fonctionnement excessivement élevées augmentent les risques de blessure ou risquent d'endommager le générateur.

Les vitesses extrêmement lentes entraînent une charge importante.

- NE trafiquez PAS la vitesse réglée. Le générateur produit une fréquence nominale et une tension correctes lorsqu'il fonctionne à une vitesse réglée.
- NE modifiez le générateur d'aucune façon.

### ATTENTION

Dépasser la capacité de puissance ou d'ampérage du générateur risque d'endommager ce dernier et/ou les autres appareils électriques qui y sont branchés.

- Voir la section "Circuits Essentiels" à la page 41.
- Démarrez le générateur et laissez le moteur se stabiliser avant de brancher les charges électriques.

### ATTENTION

Un traitement inapproprié du générateur risque de l'endommager et de raccourcir sa durée d'utilisation.

- NE vous servez du générateur que pour les utilisations prévues.
- Si vous avez des questions concernant les utilisations prévues, demandez à votre distributeur ou contactez Briggs and Stratton.
- NE faites fonctionner le générateur que sur des surfaces horizontales.
- Des débits d'air de refroidissement et d'aération adéquats sont nécessaires au bon fonctionnement de la génératrice.
- Lorsque l'unité est en marche, il faut que les portes de l'orifice de remplissage d'huile et d'accès au tableau de commande soient installées.
- N'EXPOSEZ PAS le générateur à une humidité excessive, à de la poussière, à de la saleté ou à des vapeurs corrosives.
- En dépit de la conception sécuritaire du groupe électrogène, le fait d'opérer l'équipement de façon imprudente, de ne pas l'entretenir ou d'être négligent peut causer des blessures et la mort.
- Demeurez alerte en tout temps lorsque vous travaillez sur cet équipement. Ne travaillez jamais sur l'équipement si vous êtes fatigué physiquement ou mentalement.
- NE démarrez JAMAIS le moteur sans son filtre à air ou sans le couvercle du filtre à air.
- N'INSÉREZ aucun objet dans les fentes de refroidissement.
- N'UTILISEZ PAS la génératrice ni aucune partie de celle-ci comme palier. Le fait de marcher sur l'unité peut causer des contraintes et briser des pièces. Cela peut résulter en des conditions de fonctionnement dangereuses à cause d'une fuite de gaz d'échappement, de combustible, d'huile, etc.
- Si les appareils branchés sont en surchauffe, éteignez-les et débranchez-les du générateur.
- Arrêtez le générateur si :
  - la puissance électrique est inexistante;
  - l'équipement produit des étincelles, de la fumée ou des flammes;
  - l'unité vibre excessivement.



## CONSERVEZ CES INSTRUCTIONS

Ce manuel contient d'importantes directives qu'il faut suivre lors de l'installation et de la maintenance de la génératrice et de la batterie.

## INTRODUCTION

**Merci** d'avoir acheté un groupe électrogène Briggs & Stratton. Ce produit est conçu pour être utilisé comme groupe électrogène optionnel fournissant une source d'électricité alternative et pour desservir des charges comme le chauffage, les systèmes de réfrigération et les systèmes de communication qui, lorsqu'ils sont arrêtés durant une panne d'électricité, peuvent causer des inconforts ou autre. Ce produit ne se qualifie pas comme groupe électrogène d'urgence tel que défini par la NFPA 70 (NEC).

La société Briggs & Stratton a tout fait pour fournir un groupe électrogène dont l'installation soit sécuritaire, facile et économique. Comme chaque installation est unique, il est impossible de connaître et de recommander une marche à suivre présentant toutes les méthodes et consignes d'installation possibles. Briggs et Stratton ignore également les dangers et/ou les résultats potentiels de chaque méthode ou procédure. C'est pourquoi,

**Seuls des entrepreneurs en électricité et en plomberie qualifiés devraient procéder à l'installation des groupes électrogènes. Toute installation doit être conforme à tous codes de sécurité applicables, ainsi qu'aux normes et à la réglementation de l'industrie.**

Votre groupe électrogène Briggs & Stratton est livré avec le présent "Manuel d'Utilisation", ainsi qu'un "Guide d'Installation" séparé. Ces deux documents sont importants; après avoir complété l'installation, l'acheteur doit les conserver.

## Aide à l'Installation

### Au Propriétaire Résidentiel:

Afin de vous aider à faire des choix avisés et à communiquer efficacement avec l'entrepreneur qui procédera à l'installation,

**Veillez lire avec soin la section Conseils au propriétaire dans le présent guide avant de contracter un entrepreneur ou de commencer l'installation de votre groupe électrogène.**

Pour assurer une installation adéquate, veuillez contacter le magasin qui vous a vendu votre groupe électrogène Briggs & Stratton, votre détaillant ou votre fournisseur de services d'électricité.

**Si l'installation du groupe électrogène n'est pas effectuée par des professionnels certifiés en électricité et en plomberie, la garantie sera ANNULÉE.**

### Au Détaillant ou à l'Entrepreneur Procédant à l'Installation:

Le guide d'installation renferme tous les renseignements nécessaires à l'installation adéquate ainsi qu'au démarrage du groupe électrogène pour la plupart des usages. Le présent Manuel d'utilisation décrit les procédures de sélection des circuits essentiels, de fonctionnement normal et d'entretien par le propriétaire.

Si vous avez besoin de renseignements supplémentaires, veuillez appeler au (800) 743-4115 de 8 h à 17 h HNC.

Nous garantissons que le dispositif antipollution de cette génératrice répond aux normes établies par le U.S. Environmental Protection Agency et le California Air Resources Board (CARB).

## CONSEILS AU PROPRIÉTAIRE

La présente section présente au propriétaire du groupe électrogène les renseignements dont il aura besoin pour que l'installation du groupe électrogène soit la plus satisfaisante et économique possible.

Les illustrations se rapportent à des cas typiques et ont pour but de vous familiariser avec les différentes options d'installation de votre groupe électrogène dont vous disposez. En comprenant pleinement ces options, vous pourrez bien contrôler les coûts liés à votre installation et assurer votre satisfaction finale ainsi que votre sécurité.

Au moment de négocier avec un installateur professionnel, il faudra tenir compte des facteurs suivants : les codes de sécurité locaux, l'apparence, le niveau de bruits, les types de carburant et les distances. Souvenez-vous que plus grandes sont les distances entre le groupe électrogène et le service électrique existant ainsi que l'alimentation en combustible gazeux, plus il faudra faire des compensations dans les matériaux de tuyauterie et le câblage. Ces modifications sont nécessaires pour vous conformer aux codes de sécurité locaux et pour surmonter les chutes de tension et les baisses de pression du combustible gazeux.

**Les facteurs mentionnés ci-dessus auront une incidence directe sur le prix total de l'installation de votre groupe électrogène.**

**REMARQUE:** Dans certaines régions, vous devrez vous procurer un permis de travail d'électricité pour installer le groupe électrogène, un permis de construction pour l'installation des canalisations de gaz, ainsi qu'un permis relatif au bruit. Votre installateur est tenu de vérifier les codes locaux ET d'obtenir les permis requis avant de procéder à l'installation du système.

## Facteurs Relatifs au Combustible



Le type de combustible utilisé par votre groupe électrogène aura une incidence importante sur l'ensemble de l'installation. Le système a été testé en usine et réglé pour l'utilisation du gaz naturel en tant que combustible. Le gaz de pétrole liquéfié (GPL) peut également être utilisé comme combustible (voir le manuel d'installation).

Même s'il existe certains facteurs spécifiques inhérents à chacun de ces combustibles, votre emplacement et la durée potentielle des pannes de courant devraient guider votre choix du type de combustible. Pour les installations en milieu urbain, votre choix devrait se porter sur le gaz naturel (si disponible). Pour les installations en région éloignée, le gaz de pétrole liquéfié (GPL) pourrait mieux répondre à vos besoins.

Les directives suivantes en matière de combustible sont recommandées pour obtenir un fonctionnement approprié du moteur:

- Utilisez un combustible propre et sec, libre de toute humidité ou de dépôts. L'utilisation de combustible à l'extérieur des plages de valeurs recommandées pourrait causer des problèmes de performance.

Pour les moteurs réglés sur l'utilisation du gaz de pétrole liquéfié (GPL), le propane commercial de classe HD5, ayant une énergie combustible minimum de 2500 Btu/pi<sup>3</sup> à teneur maximum de 5% de propylène et de butane et de 2,5% de gaz plus lourds et une teneur minimum en propane de 90%, convient.

<b>⚠ AVERTISSEMENT</b>	
	Le gaz propane et le gaz naturel sont extrêmement inflammables et explosifs.
	Le feu ou l'explosion risque de provoquer des blessures graves, pouvant être fatales.
<ul style="list-style-type: none"> <li>• Cet équipement est muni d'un robinet de sécurité pour la fermeture automatique des gaz.</li> <li>• N'opérez PAS l'équipement si le robinet de fermeture du combustible est manquant ou ne fonctionne pas.</li> </ul>	

## Baisse de Puissance à Haute Altitude ou à Température Élevée

La densité de l'air étant moindre en haute altitude, la puissance du moteur est donc réduite. En fait, la puissance du moteur sera réduite de 3,5% pour chaque 1000 pieds (300 mètres) au-dessus du niveau de la mer, et de 1% pour chaque 10° F (5,6°C) au-dessus de 77°F (25°C). Votre installateur et vous-même devriez vous assurer de tenir compte de ces facteurs au moment de déterminer la charge totale de la génératrice.

## Emplacement de la Génératrice

L'emplacement physique réel de votre génératrice de secours a une incidence directe sur:

1. La quantité de tuyauterie nécessaire pour l'alimentation en combustible de votre génératrice.
2. La quantité de câblage nécessaire pour commander et brancher votre génératrice.

**REMARQUE:** Le Guide d'installation présente des consignes particulières relatives au choix de l'emplacement de la génératrice. Familiarisez-vous avec celles-ci et discutez-en avec votre installateur. N'oubliez PAS de demander à l'installateur si votre choix d'emplacement est conforme aux normes et aux codes locaux et de quelle façon celui-ci influe sur les coûts d'installation.

## Emplacement du Générateur d'état d'Attente

Avant d'appliquer les présentes directives générales, consultez le propriétaire et faites-lui part de toute considération technique qui pourrait influencer sur ses désirs.

### Dégagement Autour de la Génératrice

<b>⚠ AVERTISSEMENT</b>	
	La chaleur et les gaz d'échappement peuvent enflammer des matériaux combustibles et les structures ainsi que causer des dommages au réservoir d'essence et entraîner un incendie.
<ul style="list-style-type: none"> <li>• Laissez un dégagement d'au moins 1,52 m (5 pi) tout autour de la génératrice, y compris au-dessus.</li> </ul>	

Placez la génératrice dans un endroit bien ventilé qui permet l'élimination des gaz d'échappement mortels. N'installez pas la génératrice dans un endroit où les gaz d'échappement pourraient s'accumuler et pénétrer ou être aspirés dans un édifice qui pourrait être occupé. Assurez-vous que les gaz d'échappement ne puissent entrer par une fenêtre, une porte, une prise d'aération ou une autre ouverture qui pourrait leur permettre de s'accumuler dans un espace restreint (Figure 11). Tenez aussi compte des vents dominants et des courants d'air au moment de choisir l'endroit où vous installerez la génératrice.


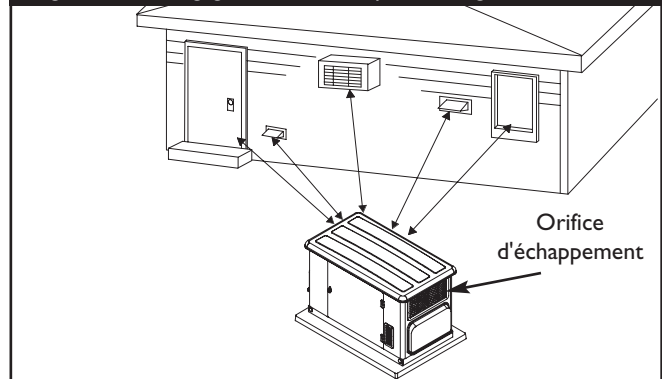
<b>⚠ AVERTISSEMENT</b>	
	Le générateur, lorsqu'il fonctionne, produit du monoxyde de carbone, un gaz toxique inodore et incolore. Le fait de respirer du monoxyde de carbone provoque des nausées, des évanouissements ou peut être fatal.
<ul style="list-style-type: none"> <li>• Faites fonctionner le générateur SEULEMENT à l'extérieur.</li> <li>• Évitez que les gaz d'échappement entrent dans un espace restreint, par une fenêtre, une porte, une prise d'aération ou toute autre ouverture.</li> </ul>	

Figure 11 — Dégagement du Groupe Électrogène



# INSTALLATION

## Directives Générales Concernant l'Emplacement

- Installez l'unité à l'extérieur **SEULEMENT**.
- Placez l'unité dans un endroit préparé à cet effet qui soit plat et muni d'un drain pour l'écoulement des eaux.
- Installer l'appareil dans un endroit où l'évacuation d'une pompe de puisard, l'écoulement des gouttières et du toit, l'irrigation d'aménagement paysagé ou un système de pulvérisation d'eau n'entraînera pas une inondation de l'appareil, l'arrosage du boîtier ou l'entrée d'eau par l'admission d'air ou les ouvertures de sortie.
- Installez l'appareil dans un endroit où l'emplacement de tout service dont le téléphone, l'électricité, la climatisation, l'irrigation, incluant des services recouverts, enfermés et souterrains ne seront pas touchés ou obstrués.
- Installez l'unité là où les ouvertures pour l'entrée et la sortie d'air ne seront pas obstruées par les feuilles, le gazon, la neige, etc. Si des vents dominants causent des bourrasques ou des amoncellements, il faut construire un brise-vent pour protéger l'unité.
- Installez la génératrice aussi près que possible du système automatique de transfert d'énergie afin de réduire la longueur des fils et du conduit.
- Installez la génératrice aussi près que possible de l'alimentation en combustible afin de réduire la longueur des tuyaux.

**IMPORTANT:** La loi ou les codes locaux peuvent réglementer la distance entre le générateur d'état d'attente et la source d'alimentation en combustible.

Le générateur d'état d'attente a été fixé à son berceau de montage avant l'expédition. Sauf si stipulé par un code local, aucune dalle en béton n'est nécessaire.

Si le code local exige une telle dalle, coulez une dalle de béton mesurant au moins 3 pouces (7,5 cm) d'épaisseur et six pouces plus long et plus large que l'unité elle-même. À l'aide de boulons d'ancrage de maçonnerie de 1/4 po (0,64 cm) de diamètre (au minimum) et suffisamment longs pour retenir l'unité, fixez l'unité à la dalle.

## Circuits Essentiels

À titre de propriétaire du groupe électrogène, il importe que vous identifiez clairement les circuits "essentiels" de votre édifice. Votre groupe électrogène est muni d'un commutateur de transfert automatique.

Il est important que votre installateur comprenne quels circuits vous souhaitez inclure parmi vos "Circuits Essentiels". Selon la quantité d'énergie consommée par ces circuits, la plupart de ceux-ci ou tous, peuvent être commutés vers le groupe électrogène pour la durée d'une panne de courant normale.

La Figure 12 présente un tableau de référence de puissance qui vous guidera dans votre choix. Celui-ci indique la puissance utilisée par plusieurs appareils électroménagers courants. Utilisez ce tableau comme guide au moment de choisir vos circuits essentiels. Réviser ces renseignements avec votre installateur et posez-lui toutes vos questions techniques qui pourraient avoir une incidence sur le coût de votre installation.

Figure 12 — Guide de Référence de Puissance

	Appareil	Watts utilisés
<input type="checkbox"/>	Conditionneur d'air (12 000 Btu)*	1 700
<input type="checkbox"/>	Conditionneur d'air (24 000 Btu)*	3 800
<input type="checkbox"/>	Conditionneur d'air (40 000 Btu)*	6 000
<input type="checkbox"/>	Chargeur de batterie (20 ampères)	500
<input type="checkbox"/>	Scie circulaire (6,5 po) (16,5 cm)	800 à 1 000
<input type="checkbox"/>	Sècheuse (électrique)*	5 750
<input type="checkbox"/>	Sècheuse (gaz)*	700
<input type="checkbox"/>	Lessiveuse*	1 150
<input type="checkbox"/>	Cafetière	1 750
<input type="checkbox"/>	Compresseur (1 HP)*	2 000
<input type="checkbox"/>	Compresseur (1/2 HP)*	1 400
<input type="checkbox"/>	Compresseur (3/4 HP)*	1 800
<input type="checkbox"/>	Fer à friser	700
<input type="checkbox"/>	Déshumidificateur*	650
<input type="checkbox"/>	Couverture électrique	400
<input type="checkbox"/>	Cuisinière électrique (par élément)	1 500
<input type="checkbox"/>	Poêle électrique	1 250
<input type="checkbox"/>	Congélateur*	700
<input type="checkbox"/>	Ventilateur de fournaise (3/5 HP)*	875
<input type="checkbox"/>	Ouvre-porte de garage*	500 à 750
<input type="checkbox"/>	Séchoir à cheveux	1 200
<input type="checkbox"/>	Perceuse à main	250 à 1 100
<input type="checkbox"/>	Fer à repasser	1 200
<input type="checkbox"/>	Pompe aspirante*	800
<input type="checkbox"/>	Ampoule électrique	100
<input type="checkbox"/>	Four à micro-ondes	700 à 1 000
<input type="checkbox"/>	Refroidisseur à lait*	1 100
<input type="checkbox"/>	Brûleur à mazout pour fournaise	300
<input type="checkbox"/>	Radiateur autonome au mazout (140 000 Btu)	400
<input type="checkbox"/>	Radiateur autonome au mazout (30 000 Btu)	150
<input type="checkbox"/>	Radiateur autonome au mazout (85 000 Btu)	225
<input type="checkbox"/>	Radio	50 à 200
<input type="checkbox"/>	Réfrigérateur	700
<input type="checkbox"/>	Mijoteuse	200
<input type="checkbox"/>	Pompe submersible (1 HP)*	2 000
<input type="checkbox"/>	Pompe submersible (1/2 HP)*	1 500
<input type="checkbox"/>	Pompe submersible (1 1/2 HP)*	2 800
<input type="checkbox"/>	Pompe de puisard*	800 à 1 050
<input type="checkbox"/>	Scie d'établi (10 po)*	1 750 à 2 000
<input type="checkbox"/>	Téléviseur	200 à 500
<input type="checkbox"/>	Grille-pain	1 000 à 1 650

\*Allouez trois (3) fois le nombre de watts pour le démarrage des appareils

## Sélection des Circuits Essentiels

Lors de la sélection des circuits essentiels qui seront commutés vers l'alimentation de secours, il importe que la charge totale combinée de ces circuits ne dépasse pas la capacité de puissance ou d'intensité du courant de la génératrice. Veuillez tenir compte des points suivants dans la sélection des circuits essentiels:

Additionnez la puissance totale de tous les appareils qui seront branchés en même temps. Ce total NE doit PAS dépasser la capacité de puissance de la génératrice.

La puissance nominale des lampes est indiquée sur les ampoules. La puissance nominale des outils électriques, des appareils électroménagers et des moteurs est habituellement indiquée sur les plaques ou les décalques apposés sur les appareils.

Si la plaque signalétique d'un appareil électroménager, d'un outil ou d'un moteur n'indique pas la puissance, multipliez la valeur en volts par la valeur de l'intensité pour déterminer la valeur en watts (volts x ampères = watts).

Certains moteurs électriques (les moteurs à induction) nécessitent environ trois fois plus de watts de puissance au démarrage que lorsqu'ils sont en marche. Cette surtension ne dure que quelques secondes. Lors de la sélection des appareils électriques qui seront alimentés par le groupe électrogène, assurez-vous d'allouer suffisamment de puissance pour combler cette puissance de démarrage élevée.

- Calculez le nombre de watts nécessaires au démarrage du plus gros moteur.
- Ajoutez le résultat au nombre de watts total de toutes les autres charges branchées.

**Le groupe électrogène de Briggs & Stratton est conforme à la "puissance nominale de réserve stationnaire" suivante:**

La puissance nominale de réserve s'applique à la fourniture d'électricité d'urgence pour la durée normale d'une panne de courant. Cette puissance n'inclut aucune capacité de surcharge permanente.

Cette puissance nominale s'applique aux installations desservies par un service électrique normalement fiable. Cette puissance ne s'applique qu'aux charges variables avec facteur de charge moyen de 80 % de la puissance de réserve. La puissance de réserve ne s'applique qu'à l'alimentation de réserve optionnelle là où la génératrice sert de source d'énergie de réserve normale.

Utilisez le Guide de référence de puissance fourni, et indiquez les circuits que vous considérez "critiques" ou "essentiels". L'installateur et vous-même devez vous assurer de tenir compte de l'altitude au-dessus du niveau de la mer et de la plage de température ambiante lors de la détermination de la charge totale de la génératrice.

**IMPORTANT:** Lorsque vous utilisez le commutateur de transfert de 100 ampères ou de 200 ampères avec le groupe électrogène,

vous devez couper l'alimentation de toutes les charges non essentielles. Si vous ne coupez pas l'alimentation des charges non essentielles, cela pourrait surcharger la génératrice et elle pourrait s'arrêter. Voici des exemples de charges non essentielles:

- Pompe de piscine
- Spa
- Chauffe-spa et/ou piscine électriques
- Climatiseurs centraux
- Chauffe-eau électriques
- Cuisinière et/ou four électrique
- Soudeuse à l'arc
- Chauffages électriques non essentiels

## DÉBALLAGE

Au besoin, reportez-vous au guide d'installation pour des instructions détaillées sur le déballage.

## Vérification de la Livraison

Après avoir enlevé le carton, examinez avec soin les éléments de la génératrice pour tout dommage subi durant l'expédition.

**IMPORTANT:** Au moment de la livraison, si vous remarquez des dommages ou des pièces manquantes, demandez au livreur de noter tous les dommages sur la facture de fret et d'apposer sa signature dans l'espace réservé à cet effet. Après la livraison, si vous remarquez des pièces manquantes ou des dommages, mettez les pièces endommagées de côté et communiquez avec le transporteur pour connaître les procédures de réclamation. Les pièces manquantes ou endommagées ne sont pas garanties.

## Contenu de la Boîte

**Le Groupe Électrogène est Livré avec les Éléments Suivants:**

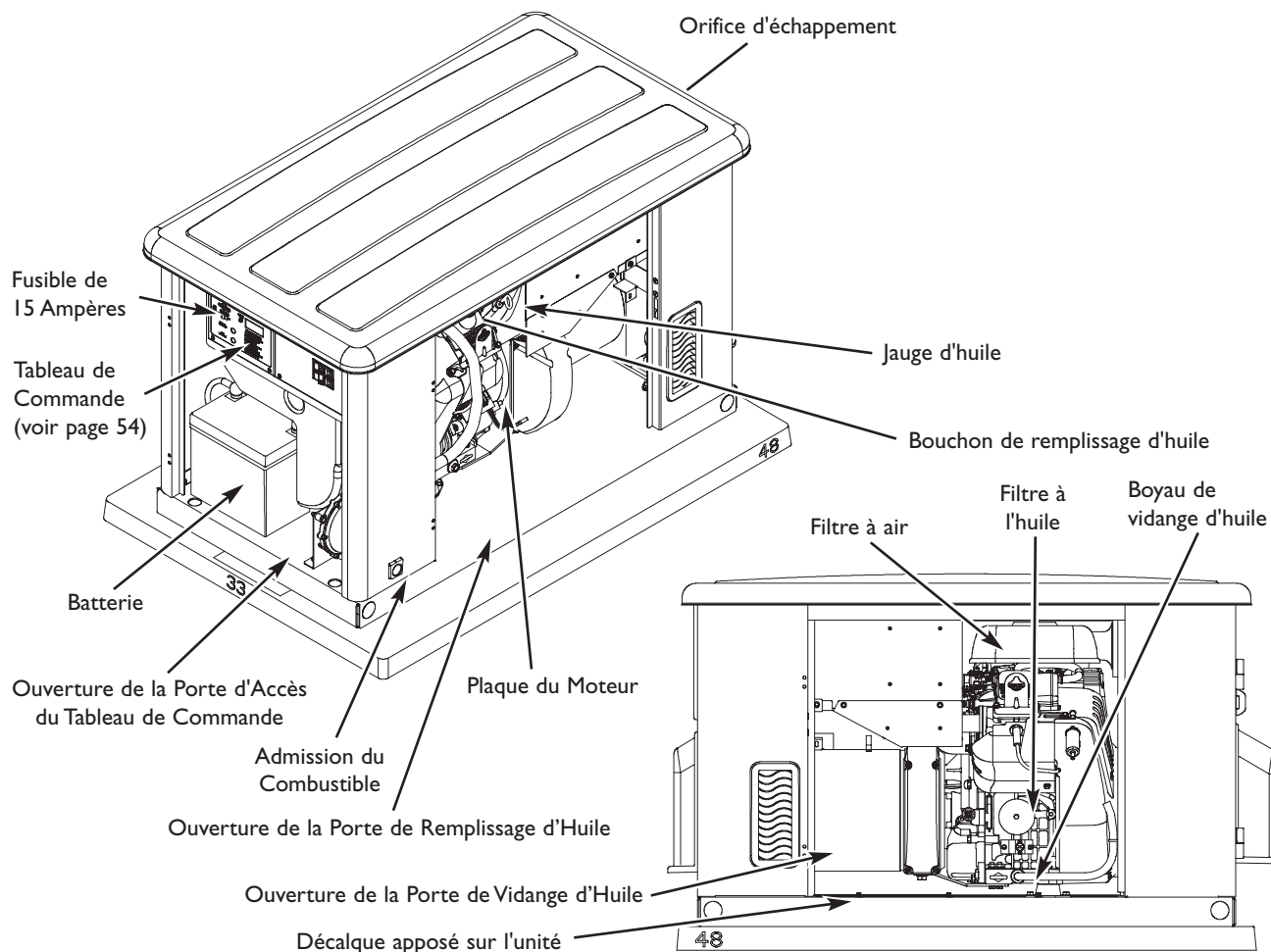
- Génératrice de secours
- Berceau de montage préfixé
- Un tuyau de montage flexible de 24 po
- Guide d'installation
- Manuel d'utilisation
- Manuel de listes de pièces illustrées
- Liste de vérification d'installation
- Deux clés pour la porte d'accès
- Quatre bouchons pour les trous de levage
- Bec de remplissage d'huile
- Un fusible de rechange de 15 A
- Prise à deux pôles – 240 V en provenance de la résidence
- Prise à 10 pôles – fils de détection et de contrôle
- Couvercle de l'entrée d'air du moteur
- Couvercle de la génératrice
- Ensemble de DEL de diagnostic (rouge DEL/plaque/vis (2))

## FAMILIARISEZ-VOUS AVEC VOTRE GROUPE ÉLECTROGÈNE



Lire ce manuel de l'utilisateur et les règles de sécurité avant de faire marcher votre générateur.

Comparez les illustrations avec votre générateur pour vous familiariser avec l'emplacement des diverses commandes et réglages. Gardez ce manuel pour le consulter plus tard.



**Batterie** - Batterie scellée de 12 Volts C.C., 55 Ampères-heures, fournissant l'énergie pour démarrer le moteur. La batterie reçoit une charge à faible débit lorsque la génératrice n'est pas en marche.

**Bouchon de Remplissage d'Huile** - Enlevez-le pour effectuer l'entretien du moteur avec le type d'huile recommandé.

**Boyau de Vidange d'Huile** - Fourni afin de faciliter les changements d'huile.

**Décalque Apposé sur l'Unité (situé sur la base)** - Identifie l'unité par son numéro de série.

**Filtre à Air** - Utilise un élément de filtre du type sec et un pré-filtre en mousse pour limiter le montant de saleté et de poussières entrant dans le moteur.

**Filtre à l'Huile** - Filtre l'huile du moteur afin d'en prolonger la durée de vie utile.

**Fusible de 15 Ampères** - Protège les circuits de commande C.C. du groupe électrogène.

**Jauge d'Huile** - Utilisée pour vérifier le niveau d'huile du moteur.

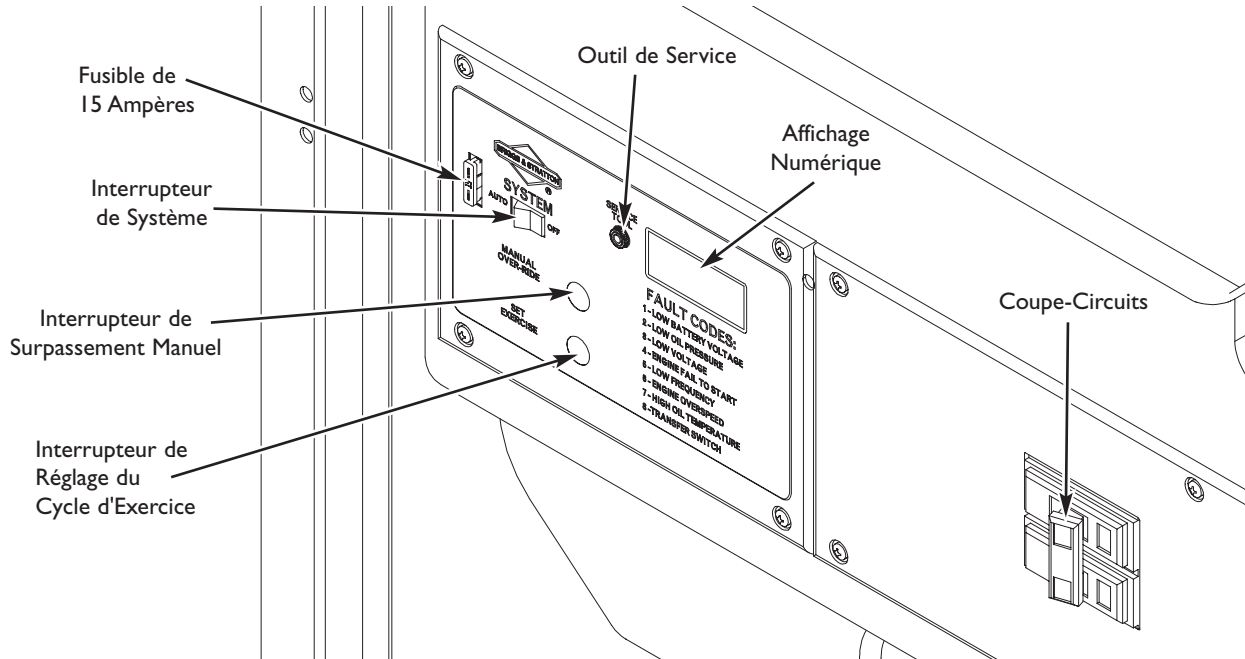
**Orifice d'Échappement** - Silencieux haute performance qui réduit le bruit du moteur afin de se conformer à la plupart des codes en milieu résidentiel.

**Plaque du Moteur** - Identifie le modèle ainsi que le type de moteur.

**Tableau de Commande** - Utilisé pour diverses fonctions d'essai, de fonctionnement et d'entretien. Voir " FAMILIARISEZ-VOUS AVEC LE TABLEAU DE COMMANDE DE VOTRE SYSTÈME " à la page suivante.

## FAMILIARISEZ-VOUS AVEC LE TABLEAU DE COMMANDE DE VOTRE SYSTÈME

Comparez la présente illustration au tableau de commande de votre génératrice afin de vous familiariser avec l'emplacement des importantes commandes suivantes:



**Affichage Numérique** – Affiche le nombre total d'heures de fonctionnement de la génératrice et les codes de défaillance. Utilisé pour planifier les tâches d'entretien et le dépannage des problèmes de fonctionnement du groupe électrogène résidentiel. Toutes les conditions de panne sont décrites dans la section "Système de détection des défaillances".

**Coupe-Circuits** - Protège le système contre les court-circuits et autres conditions de surintensité. Celui-ci doit être en position ON pour alimenter le commutateur de transfert automatique.

**Fusible de 15 Ampères** - Protège les circuits de commande C.C. du groupe électrogène. Si le fusible est grillé (fondu et ouvert) ou a été enlevé, le moteur ne peut être lancé ou démarrer. Remplacez le fusible grillé uniquement par un fusible ATO identique de 15 A.

**Interrupteur de Réglage du Cycle d'Exercice** - Utilisé pour régler le jour et l'heure du début du cycle d'exercice. Le cycle d'exercice ne s'exécute qu'en mode AUTO.

**Interrupteur de Surpassement Manuel** — Lorsque l'interrupteur de système est à la position AUTO, appuyez sur l'interrupteur de surpassement manuel pour démarrer la génératrice. Appuyez de nouveau sur l'interrupteur de surpassement manuel pour éteindre la génératrice.

**Interrupteur de Système** - Ce dispositif à deux positions est la commande la plus importante du système et s'utilise comme suit:

- La position normale de fonctionnement est la position "AUTO". Si une panne d'électricité est détectée, le système démarrera la génératrice. Lorsque l'électricité est rétablie, laissez le moteur stabiliser les températures internes, fermez la génératrice et attendez la prochaine panne d'électricité.
- La position "OFF" ferme la génératrice quand elle fonctionne, ce qui empêche l'unité de démarrer et de remettre à zéro toute détection de panne.

**Outil de Service** — Destiné SEULEMENT à du personnel d'entretien qualifié.

# INSTALLATION

## Portes d'Accès

Le groupe électrogène vous est livré avec une enceinte munie de trois portes d'accès. Tel qu'illustré à la Figure 13 ci-dessous, chaque porte est identifiée par un élément important qui se trouve derrière celle-ci. La figure présente également les dimensions de l'unité.

En commençant par le côté où se trouve le raccord du combustible gazeux soudé en usine et en continuant dans le sens horaire, les portes sont identifiées comme suit:

- Porte de remplissage d'huile
- Porte d'accès au tableau de commande
- Porte de vidange d'huile

Chaque groupe électrogène résidentiel est muni de deux clés identiques. Ces clés s'adaptent aux serrures qui verrouillent les portes d'accès.

## ⚠ AVERTISSEMENT



Les moteurs en fonctionnement produisent de la chaleur. La température du silencieux et des endroits à proximité peuvent atteindre, voire dépasser 600°F (316°C). Le contact de ces pièces risque de causer de graves brûlures.

- **NETOUCHEZ PAS** les surfaces chaudes.
- Laissez l'équipement refroidir avant de le toucher.

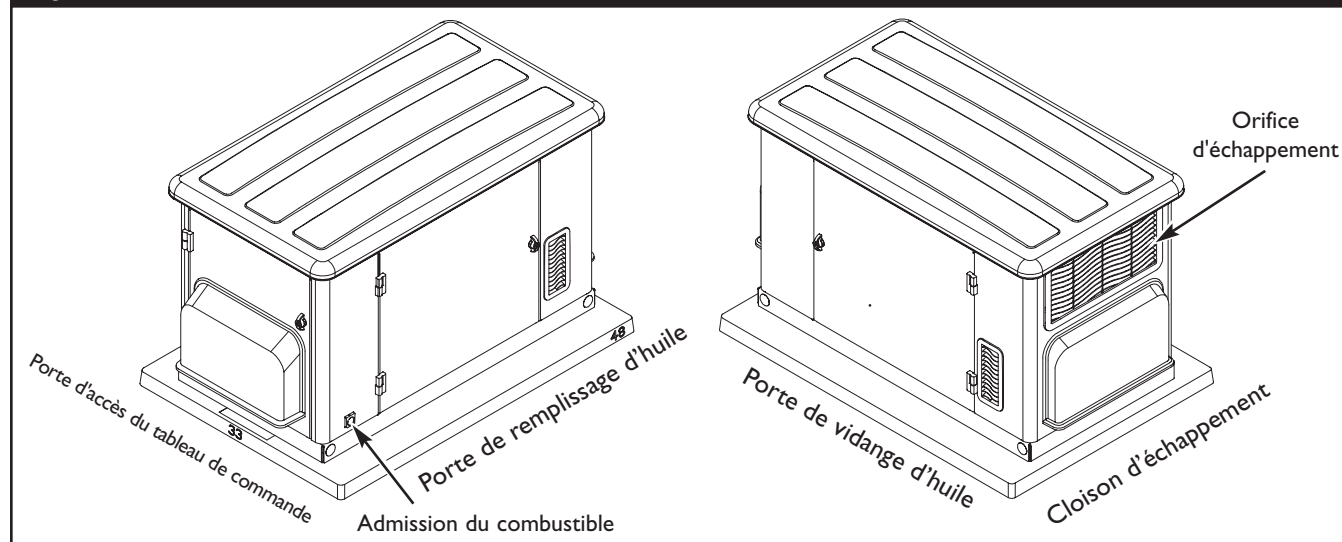
### Pour ouvrir une porte d'accès :

1. Insérez une des clés dans la serrure de la porte d'accès que vous souhaitez ouvrir et tournez la clé d'un quart de tour dans le sens antihoraire.
2. Saisissez la poignée de la porte et tournez-la d'un quart de tour dans le sens antihoraire pour l'ouvrir. Retirez la clé.

### Pour fermer une porte d'accès :

1. Fermez la porte et tournez la poignée de la porte d'un quart de tour dans le sens horaire.
2. Insérez une des clés dans la serrure de la porte d'accès et tournez la clé d'un quart de tour dans le sens horaire. Retirez la clé.

Figure 13 — Portes d'Accès de l'Enceinte



## AVANT LE DÉMARRAGE INITIAL

### Huile à Moteur

Le moteur a été rempli avec l'huile recommandée avant son expédition de l'usine. Avant de démarrer le moteur, vérifiez le niveau d'huile et assurez-vous que le moteur a subi l'entretien décrit dans la manuel d'Moteur.

### Points importants Concernant l'Huile

Votre groupe électrogène est muni d'un moteur qui a été testé en usine, et il n'est donc pas nécessaire d'effectuer la procédure de rodage traditionnelle.

### ATTENTION

Toute tentative de démarrer le moteur sans qu'il ait été rempli avec l'huile recommandée entraînera une panne de l'équipement..

- Reportez-vous au manuel d'utilisation du moteur au sujet de l'huile et du combustible.
- La garantie sera annulée si des dommages à l'équipement sont entraînés par le manquement à se conformer à cette directive.

Afin de fournir une meilleure capacité de réserve, le système est rempli d'huile synthétique (API SJ/CF 5W-30W). Cela permet au système de fonctionner dans une plage élargie de températures et de conditions climatiques.

**REMARQUE:** L'utilisation de l'huile synthétique NE modifie nullement les intervalles de changement d'huile recommandés ci-dessous dans la manuel d'Moteur.

### Branchement de la Batterie

Le groupe électrogène est livré avec une batterie de 12 volts C.C., 55 ampères-heures, à soupape régulatrice. C'est une batterie rechargeable scellée avec accumulateurs au plomb. Elle est installée dans l'unité, et ses câbles sont branchés en usine. Le fusible de 15 A de la génératrice a été retiré afin d'empêcher l'unité de démarrer durant le transport.

### ATTENTION

Le fait de ne pas installer le fusible tel que décrit dans le guide d'installation pourrait causer le démarrage du moteur.

- N'installez PAS ce fusible avant que toute la plomberie et le câblage n'aient été complétés et vérifiés.

**REMARQUE:** Alors que la batterie est installée, que tous les câbles reliant le commutateur de transfert et le groupe électrogène sont branchés, que l'électricité de service est fournie au commutateur de transfert automatique et que l'unité est en mode AUTO, la batterie reçoit une charge à faible débit si le moteur n'est pas en marche. Le chargeur à faible débit ne peut être utilisé pour recharger une batterie complètement à plat.

### Système de Combustible Gazeux

- Assurez-vous que tous les raccords du tuyau de combustible sont fermement serrés et qu'ils ne comportent pas de fuite.
- Assurez-vous que tous les robinets de fermeture sont en position OUVERTE et qu'une pression adéquate est disponible.

### AVERTISSEMENT



Le gaz propane et le gaz naturel sont extrêmement inflammables et explosifs.



Le feu ou l'explosion risque de provoquer des blessures graves, pouvant être fatales.

- NE faites PAS fonctionner le moteur si vous sentez une odeur de combustible ou si d'autres conditions d'explosion sont présentes.
- Si vous sentez une odeur de combustible gazeux brut près de l'unité (gaz naturel ou gaz de pétrole liquéfié), fermez immédiatement l'alimentation en combustible de la génératrice.
- Pour déterminer la source de l'odeur, contactez votre fournisseur de gaz ou votre installateur pour de l'aide.



## FONCTIONNEMENT AUTOMATIQUE

Pour actionner le transfert automatique, suivez la procédure décrite ci-dessous:

1. Réglez sur **ON** l'interrupteur de débranchement ou le disjoncteur principal du panneau de distribution qui alimente la tension de service vers le commutateur de transfert.
2. Réglez le disjoncteur principal de la génératrice en position **ON**.
3. Réglez l'interrupteur de système sur **AUTO**.



### ATTENTION

Avec l'interrupteur en position AUTO, le moteur peut se lancer et démarrer en tout temps sans avertissement. Un tel démarrage automatique se produit normalement lorsque la tension de l'alimentation de service baisse en deçà d'un niveau préétabli ou au moment du cycle d'exercice normal.

- Pour éviter toute blessure potentielle qui pourrait résulter d'un tel démarrage, réglez toujours l'interrupteur de système sur OFF.
- Enlevez le fusible de 15 Ampères, avant de travailler sur ou autour de la génératrice ou du commutateur de transfert.

## Vérification du Fonctionnement Automatique

Pour vérifier si le fonctionnement automatique du système est adéquat, procédez comme suit:

1. Mettez **HORS** tension l'interrupteur de débranchement ou le disjoncteur principal du panneau de distribution qui alimente le commutateur de transfert automatique.

Lorsqu'il y aura baisse de tension et que le temps imparti du capteur sera écoulé, le moteur sera lancé et démarrera. Laissez le système compléter la totalité de sa séquence de fonctionnement automatique.

2. Alors que la génératrice alimente ses charges, mettez **SOUS** tension l'interrupteur de débranchement ou le disjoncteur principal du panneau de distribution qui alimente le commutateur de transfert automatique.
3. L'interrupteur de transfert automatique transférera les charges à l'alimentation de service après 5 minutes de fonctionnement minimum et du rétablissement de l'électricité.
4. La génératrice fonctionnera une minute de plus pour refroidir le moteur, puis s'arrêtera.

**REMARQUE:** Si la génératrice ne s'arrête pas après 10 minutes, mettez l'interrupteur de système à OFF et appelez votre installateur ou votre centre de service local.

Cela complète les procédures d'essais du fonctionnement automatique. Le groupe électrogène démarrera automatiquement lors d'une panne électrique et alimentera le commutateur de transfert de circuits essentiels.

## Arrêt du Système

Pour désactiver le commutateur de transfert afin d'effectuer l'entretien du système:

1. Réglez l'interrupteur de système sur **OFF**.
2. Réglez le disjoncteur principal de la génératrice en position **ON**.
3. Il y a de la tension de service. Débranchez l'alimentation avant d'effectuer l'entretien en retirant les deux fusibles de 2 ampères du commutateur de transfert.

## Réglage de la Minuterie du Cycle d'Exercice

Le groupe électrogène est muni d'une minuterie de cycle d'exercice qui se met en marche et vérifie le système une fois par semaine. Au cours de ce cycle d'exercice, l'unité fonctionne durant une douzaine de 20 minutes, puis s'arrête. Le transfert de charge électrique N'A PAS lieu durant le cycle d'exercice (sauf si une panne de courant survient).

Un interrupteur du tableau de commande est étiqueté "Set Exercice" (décrit en page 46). Le jour et l'heure particuliers auxquels cet interrupteur est pressé sont programmés dans la mémoire du tableau de commande. Ce jour et cette heure sont alors utilisés pour initialiser automatiquement le cycle d'exercice du système.

### Pour Exécuter la Procédure de Réglage du Cycle d'Exercice:

1. Choisissez le jour et l'heure à laquelle vous désirez que le cycle d'exercice du groupe électrogène ait lieu.
2. À cette journée et heure, appuyez et maintenez enfoncé l'interrupteur « Set Exercice » pendant trois secondes.

**REMARQUE :** La DEL clignote jusqu'à ce que l'interrupteur soit maintenu enfoncé pendant trois secondes, puis la DEL s'allume pendant 5 secondes et s'éteint.

Par exemple, si vous appuyez sur l'interrupteur de réglage du cycle d'exercice le dimanche à 10 h, l'unité exécutera un cycle d'exercice le dimanche suivant à 10 h.

**REMARQUE:** Le réglage du cycle d'exercice ne fonctionnera que si l'unité est en mode AUTO et que si la procédure exacte est suivie. Vous devrez reprogrammer le cycle d'exercice si vous enlevez ou remplacez le fusible de 15 A ou si la batterie de 12 volts C.C. est débranchée.

Si vous voulez changer le jour et l'heure du cycle d'exercice, vous n'avez qu'à exécuter à nouveau la procédure de "Réglage de Cycle d'Exercice" le jour et à l'heure exacte à laquelle vous voulez que le cycle d'exercice ait lieu.

## SYSTÈME DE DÉTECTION DES PANNES

La génératrice fonctionnera sans doute sur de longues périodes sans la présence d'un opérateur. C'est pourquoi le système est muni de capteurs qui arrêtent automatiquement la génératrice dans lorsque surviennent des problèmes potentiels, tels une faible pression de l'huile, une température de l'huile élevée, l'emballement du moteur, et d'autres conditions.

Le tableau de commande de la génératrice est doté d'un affichage numérique pour indiquer les codes de défaillance. Un voyant DEL supplémentaire est posé à l'intérieur, dans un endroit pratique. Si certains problèmes sont détectés dans votre groupe électrogène, la DEL s'allume et s'éteint dans une série de clignotements. Une série de clignotements se répète avec de brèves pauses entre chaque série. Le code de défaillance tel qu'indiqué sur le tableau de commande et le nombre de clignotements sur la plaque de montage indiquent le problème détecté de la façon suivante :

Code de défaillance / Nombre de clignotements du voyant	Description du Problème
FC_1 / 1	Faible tension de la batterie
FC_2 / 2	Faible pression d'huile
FC_3 / 3	Basse tension
FC_4 / 4	Le moteur ne démarre pas
FC_5 / 5	Fréquence basse
FC_6 / 6	Emballement du moteur
FC_7 / 7	Température de l'huile élevée
FC_8 / 8	Défaillance du commutateur de transfert

### Réarmement du Système de Détection des Pannes

L'opérateur doit réarmer le système de détection des pannes chaque fois que celui-ci est activé. Pour ce faire, placez l'interrupteur de système en position **OFF** durant au moins 30 secondes. Après avoir corrigé le problème, remettez le groupe électrogène en service en plaçant l'interrupteur de système en position **AUTO**.

Voici une description de chaque panne, ainsi que des suggestions pour les résoudre:

#### Aucun DEL - Batterie déchargée

Ce problème est causé par une batterie complètement à plat. Pour régler le problème, appelez votre centre de service local pour vérifier la puissance de la charge à faible débit de la batterie. Ôtez le fusible de 15 ampères et débranchez la batterie de la génératrice. Amenez la batterie chez un fournisseur local pour fins d'analyse.

Lorsque la batterie est entièrement rechargée, remplacez-la dans son compartiment en vous assurant de brancher le câble de retour en dernier lieu. Installez le fusible de 15 ampères.

#### Faible Tension de la Batterie

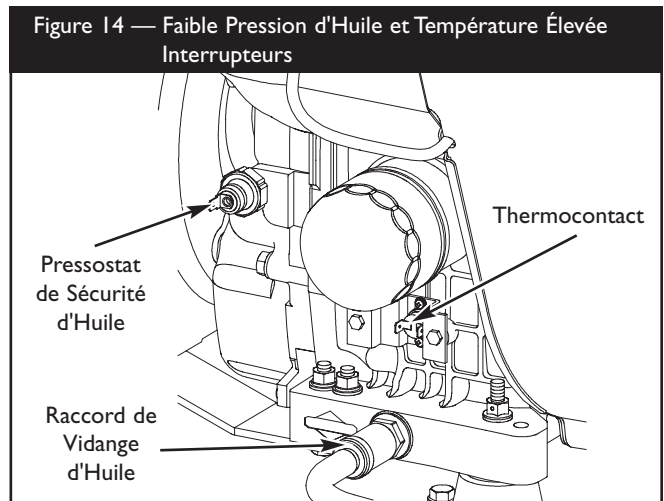
Cette défaillance est indiquée par le code de défaillance FC\_1 et un clignotement sur le voyant DEL. Cette situation se produit si la génératrice ne peut démarrer parce que la puissance de la batterie est inférieure au minimum requis pour lancer le moteur. Ce problème peut être causé par une batterie défectueuse ou par une panne du circuit de charge à faible débit.

Pour régler le problème, appelez votre centre de service local pour vérifier la puissance de la charge à faible débit de la batterie. Ôtez le fusible de 15 ampères et débranchez la batterie de la génératrice. Amenez la batterie chez un fournisseur local pour fins d'analyse.

Lorsque la batterie est entièrement rechargée, remplacez-la dans son compartiment en vous assurant de brancher le câble de retour en dernier lieu. Installez le fusible de 15 ampères.

#### Faible Pression d'Huile

Cette défaillance est indiquée par le code de défaillance FC\_2 et deux clignotement sur le voyant DEL. L'unité est munie d'un manostat d'huile (Figure 14) utilisant des contacts normalement fermés qui sont maintenus ouverts par la pression de l'huile du moteur lorsque celui-ci est en marche. Si la pression d'huile baisse sous 8 psi, les manostats se referment et le moteur s'arrête.



Pour régler un problème de faible pression d'huile, ajoutez l'huile recommandée jusqu'à la marque FULL de la jauge d'huile.

Si la faible pression d'huile persiste toujours, le moteur démarrera puis s'arrêtera après une 20 de secondes et le voyant de diagnostic clignotera à nouveau. Dans ce cas, contactez un technicien de service autorisé.

## Basse Tension

Cette défaillance est indiquée par le code de défaillance FC\_3 et trois clignotement sur le voyant DEL. Une telle panne est causée par une restriction du débit de combustible, un fil de signal cassé ou débranché, une panne d'enroulement de l'alternateur, l'ouverture du coupe-circuits du tableau de commande ou parce que le groupe électrogène est surchargé.

Pour régler ce problème, appelez votre centre de service local.

## Le Moteur Ne Démarre Pas

Cette défaillance est indiquée par le code de défaillance FC\_4 et quatre clignotement sur le voyant DEL. Cette caractéristique du système empêche la génératrice de s'infliger des dommages en tentant continuellement de démarrer en dépit de la présence d'un autre problème, comme par exemple un manque de combustible. Chaque fois que le système reçoit le signal de démarrage, l'unité se lance durant 10 secondes, fait une pause de 10 secondes, se lance durant 10 secondes, fait un pause de 10 secondes, et ainsi de suite. Si, après environ 2 minutes, le système ne commence pas à produire de l'électricité, l'unité s'arrête et le voyant clignote.

Assurez-vous que le disjoncteur principal de la génératrice est à la position ON (fermé) de sorte que les électrodes à capteur vérifient le fonctionnement de l'appareil.

La source la plus probable de ce problème est le manque de combustible. Vérifiez si les valves de fermeture interne et externe du combustible sont entièrement ouvertes. D'autres causes pourraient être une bougie défectueuse, un allumage défectueux, ou un filtre d'air encrassé. Si vous n'êtes pas en mesure de résoudre ces problèmes, demandez l'aide de votre installateur. Une fois le problème corrigé, réarmez le système de détection des pannes, tel que décrit ci-dessus.

## Basse Fréquence

Cette défaillance est indiquée par le code de défaillance FC\_5 et cinq clignotement sur le voyant DEL. Cette caractéristique protège les appareils branchés au commutateur de transfert des circuits essentiels en arrêtant la génératrice si le régime du moteur est plus lent que la limite préétablie.

- Si la fréquence de sortie de la génératrice est au dessous 55 Hz pour trois secondes, la génératrice s'arrête.

Ce problème est causé par un régulateur de régime défectueux ou par des charges excessives sur le commutateur de transfert de circuits essentiels. Pour y remédier, vous devrez demander l'aide de votre installateur ou du service technique de Briggs & Stratton. Une fois le problème corrigé, réarmez le système de détection des pannes, tel qu'indiqué ci-dessus.

## Emballement du Moteur

Cette défaillance est indiquée par le code de défaillance FC\_6 et six clignotement sur le voyant DEL. Cette caractéristique protège les appareils branchés au commutateur de transfert des circuits essentiels en arrêtant la génératrice si le régime du moteur est plus rapide que la limite préétablie. Le problème d'emballement est détecté comme suit :

- Si la fréquence de sortie de la génératrice est 65-70 Hz, après trois secondes, la génératrice s'arrête.
- Si la fréquence de sortie de la génératrice est plus grand que 70 Hz, la génératrice s'arrête instantanément.

Ce problème est causé par une défectuosité du régulateur de régime. Pour y remédier, vous devrez obtenir l'aide de votre installateur ou du service technique de Briggs & Stratton. Une fois le problème corrigé, réarmez le système de détection des pannes, tel qu'indiqué ci-dessus.

## Température de l'Huile Élevée

Cette défaillance est indiquée par le code de défaillance FC\_7 et sept clignotement sur le voyant DEL. Les thermocontacts (Figure 14) sont normalement ouverts. Si la température du moteur dépasse approximativement 140° C (284° F), le problème est détecté et le moteur s'arrête.

Les causes habituelles de cette avarie incluent le fonctionnement de l'unité avec les portes d'accès enlevées, l'obstruction de l'entrée d'air ou de l'orifice d'échappement, ou la présence de débris dans les ailettes de refroidissement du cylindre du moteur. Pour résoudre ce problème, enlevez toute accumulation de débris ainsi que toute obstruction, et laissez refroidir le moteur. Lorsque l'unité est en marche, assurez-vous que les portes de l'orifice de remplissage d'huile et d'accès du tableau de commande sont installées. Une fois le problème corrigé, réarmez le système de détection des pannes, tel qu'indiqué ci-dessus.

## Défaillance du Commutateur de Transfert

Cette défaillance est indiquée par le code de défaillance FC\_8 et huit clignotements sur le voyant DEL (lorsque le commutateur de transfert est doté de la détection de défaillance).

Pour régler ce problème, vous devez demander l'aide de l'installateur ou de votre centre de service local.

## ENTRETIEN DU GÉNÉRATEUR

La garantie de la génératrice ne couvre pas les éléments soumis à l'abus ou à la négligence de l'opérateur. Pour obtenir la pleine application de la garantie, il faut que l'opérateur maintienne le système conformément aux instructions du manuel d'utilisation du moteur.

Il faut effectuer tous les réglages au moins une fois par saison. Respectez les exigences présentées dans le manuel d'utilisation.

L'entretien du générateur consiste à le garder propre et sec. Faire marcher et remiser l'appareil dans un environnement propre et sec où celui-ci ne sera pas exposé à trop de poussière, de saleté, d'humidité ou à des vapeurs corrosives. Les fentes de refroidissement par air du générateur ne doivent pas être bouchées par de la neige, des feuilles ou tout autre corps étranger.

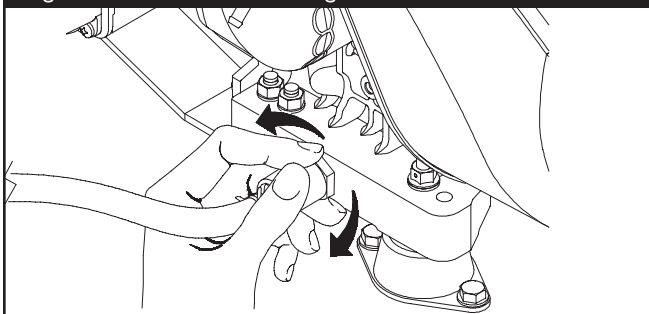
Vérifiez souvent la propreté de l'appareil et nettoyez ce dernier lorsque de la poussière, des saletés, de l'huile, de l'humidité ou d'autres substances étrangères sont visibles sur sa surface extérieure.

**REMARQUE:** Nous NE RECOMMANDONS PAS d'utiliser un tuyau d'arrosage pour nettoyer le générateur. L'eau peut entrer dans le moteur et causer des problèmes.

### Vidange de l'Huile Moteur

- Déposez le tube de vidange d'huile dans un récipient approuvé.
- Enfoncez et tournez le raccord de vidange d'huile d'un quart de tour dans le sens antihoraire. Tirez lentement le raccord vers l'extérieur jusqu'à ce que l'huile commence à s'écouler (Figure 15). Prenez garde de NE PAS retirer complètement le raccord.

Figure 15 — Raccord de Vidange d'Huile



- Une fois l'huile vidangée, enfoncez le raccord et tournez-le d'un quart de tour dans le sens horaire jusqu'à ce qu'il se bloque en place.
- Glissez le tube de vidange d'huile dans son attache sur le générateur.

### ATTENTION

Toute tentative de démarrer le moteur sans qu'il ait été rempli avec l'huile recommandée entraînera une panne de l'équipement.

- Reportez-vous au manuel d'utilisation du moteur au sujet de l'huile et du combustible.
- La garantie sera annulée si des dommages à l'équipement sont entraînés par le manquement à se conformer à cette directive.

### Pour mettre de l'huile dans le moteur:

- Suivez les recommandations applicables à l'huile synthétique et les directives de remplissage d'huile qui figurent dans le manuel d'utilisation du moteur.

### Pour Nettoyer le Générateur

- Se servir d'un chiffon humide pour essuyer et nettoyer les surfaces extérieures.

### ATTENTION

Un traitement inapproprié du générateur risque de l'endommager et de raccourcir sa durée d'utilisation.

- N'EXPOSEZ PAS le générateur à une humidité excessive, à de la poussière, à de la saleté ou à des vapeurs corrosives.
- N'INSÉREZ aucun objet dans les fentes de refroidissement.
- Une brosse douce à poils soyeux peut être utilisée pour dégager la saleté, l'huile durcie.
- Un aspirateur peut être utilisé pour ramasser la saleté et les débris qui ne sont pas collés.
- On peut se servir d'air comprimé à basse pression (pas plus de 25 psi) pour enlever la saleté. Inspectez les fentes d'air de refroidissement et les ouvertures sur le générateur. Ces ouvertures doivent rester propres et non bouchées.

### Communications avec le Fabricant

Si vous devez communiquer avec le service technique de la société Briggs & Stratton pour l'entretien ou la réparation de cette unité, ayez en main les renseignements suivants:

1. Notez le numéro de modèle ainsi que le numéro de série de l'unité, lesquels sont indiqués sur le décalque apposé sur l'unité. Consultez le schéma "Familiarisez-vous Avec Votre Unité de Génération Résidentielle" pour déterminer leur emplacement.
2. Notez les numéros de modèle, de type et de code du moteur, lesquels sont indiqués sur la plaque apposée au moteur. Consultez le schéma "Familiarisez-vous Avec Votre Unité de Génération Résidentielle" pour déterminer leur emplacement. Veuillez noter que le numéro de modèle peut varier légèrement de celui illustré dans le présent document.

### REMISAGE

La génératrice Briggs & Stratton est conçue pour produire une alimentation de secours de façon continue. Ainsi, vous n'avez nul besoin de prendre des précautions d'entreposage. Toutefois, s'il devient nécessaire de désactiver le système durant une période prolongée, appelez le service technique de Briggs & Stratton au (800) 743-4115, entre 8 h et 17 h HNC, pour obtenir des recommandations spécifiques.

## DÉPANNAGE

Problème	Cause	Solution
<b>Le moteur fonctionne, mais il n'y a aucune sortie de C.A.</b>	<ol style="list-style-type: none"> <li>1. Disjoncteur ouvert ou défectueux.</li> <li>2. Défaillance dans la génératrice.</li> <li>3. Raccords du câblage mal effectués ou commutateur de transfert défectueux.</li> </ol>	<ol style="list-style-type: none"> <li>1. Réarmez ou remplacez le disjoncteur.</li> <li>2. Contactez le centre d'entretien Briggs &amp; Stratton.</li> <li>3. Vérifiez et réparez.</li> </ol>
<b>Le moteur tourne bien sans charge mais connaît des ratés lorsque les charges sont branchées.</b>	<ol style="list-style-type: none"> <li>1. Court-circuit dans une des charges branchées.</li> <li>2. Surcharge de la génératrice.</li> <li>3. Court-circuit sur un circuit de la génératrice.</li> <li>4. La pression de combustible est incorrecte.</li> <li>5. Le mélange de combustible (NG) est incorrecte.</li> </ol>	<ol style="list-style-type: none"> <li>1. Débranchez la charge électrique ayant un court-circuit.</li> <li>2. Voir "Circuits Essentiels".</li> <li>3. Contactez le centre d'entretien Briggs &amp; Stratton.</li> <li>4. Consultez la section "Système de combustible gazeux" du guide d'installation.</li> <li>5. Consultez la section "Système de combustible gazeux" du guide d'installation.</li> </ol>
<b>Le moteur ne démarre pas, ou il démarre et a des ratés.</b>	<ol style="list-style-type: none"> <li>1. Fusible de 15 Ampères manquant ou grillé.</li> <li>2. Panne de combustible.</li> <li>3. Batterie défectueuse.</li> </ol>	<ol style="list-style-type: none"> <li>1. Installez un fusible (neuf) de 15 Ampères.</li> <li>2. Ouvrez la(les) vanne(s) de combustible; vérifiez le réservoir de gaz propane.</li> <li>3. Remplacez la batterie.</li> </ol>
<b>Le moteur s'arrête lorsqu'il est en marche.</b>	<ol style="list-style-type: none"> <li>1. Panne de combustible.</li> <li>2. Le voyant de panne clignote.</li> </ol>	<ol style="list-style-type: none"> <li>1. Vérifiez les vannes de combustible; remplissez le réservoir de gaz propane.</li> <li>2. Comptez le nombre de clignotements et référez-vous à "Système de Détection des Pannes".</li> </ol>
<b>Perte de puissance sur les circuits essentiels.</b>	<ol style="list-style-type: none"> <li>1. Disjoncteur ouvert sur la génératrice.</li> <li>2. Problèmes de commutateur de transfert.</li> </ol>	<ol style="list-style-type: none"> <li>1. Réarmez le disjoncteur.</li> <li>2. Voir le manuel du commutateur de transfert.</li> </ol>

**REMARQUES**

**REMARQUES**

# GARANTIE DU PROPRIÉTAIRE DE GÉNÉRATRICE RÉSIDENIELLE 12 KW ET 15 KW BRIGGS & STRATTON POWER PRODUCTS GROUP, LLC

Prise d'effet au 1<sup>er</sup> Septembre 2005, annule et remplace toutes les garanties précédentes et les garanties antérieures au 1<sup>er</sup> Septembre 2005

## GARANTIE LIMITÉE

Briggs & Stratton Power Products Group, LLC réparera ou remplacera, sans frais, toutes pièces d'équipement défectueuses comportant un vice de matériau ou un défaut de fabrication ou les deux. En vertu de la présente garantie, les frais de transport de produit soumis pour réparation ou remplacement sont à la charge de l'acheteur. La présente garantie sera en vigueur durant les périodes stipulées ci-dessous et est assujettie aux conditions stipulées ci-dessous. Pour obtenir des services en vertu de la garantie, veuillez consulter notre Outil de recherche d'un Service après-vente agréé au <http://www.briggspowerproducts.com> afin de trouver un distributeur de service après-vente agréé dans votre région.

IL N'EXISTE AUCUNE AUTRE GARANTIE EXPRESSE. LES GARANTIES IMPLICITES, INCLUANT CELLES DE QUALITÉ MARCHANDE ET D'ADAPTATION À UN USAGE PARTICULIER, SONT LIMITÉES À UNE PÉRIODE D'UN AN À PARTIR DE LA DATE D'ACHAT OU JUSQU'À LA LIMITE PERMISE PAR LA LOI, TOUTE GARANTIE IMPLICITE EST EXCLUE. LA RESPONSABILITÉ POUR DOMMAGES ACCESSOIRES OU INDIRECTS EST EXCLUE DANS LA MESURE OÙ UNE TELLE EXCLUSION EST PERMISE PAR LA LOI. Certains États/provinces ou pays n'autorisent aucune restriction sur la durée d'une garantie implicite, et certains États/provinces ou pays n'autorisent pas l'exclusion ou la limitation des dommages consécutifs ou indirects. Par conséquent, les restrictions et exclusions décrites ci-dessus pourraient ne pas s'appliquer dans votre cas. La présente garantie vous accorde certains droits légaux spécifiques et vous pourriez également en avoir d'autres, qui peuvent varier d'un État ou d'une province à l'autre et d'un pays à l'autre.

### PÉRIODE DE GARANTIE

Usage par un consommateur	3 ans ou 1500 heures, le premier des deux prévalant
Usage à des fins commerciales	aucune

La période de garantie débute à la date d'achat par le premier acheteur au détail ou par le premier utilisateur commercial final, et se prolonge pour la durée stipulée dans le tableau ci-dessus. "Usage par un consommateur" signifie utilisation domestique personnelle dans une résidence, par l'acheteur au détail. "Usage à des fins commerciales" signifie toute autre utilisation, y compris à des fins commerciales, générant de revenus ou de location. Aux fins de la présente garantie, dès qu'un équipement a été utilisé commercialement une fois, il est par la suite considéré comme étant d'usage à des fins commerciales.

POUR EXERCER LA GARANTIE SUR TOUT PRODUIT FABRIQUÉ PAR BRIGGS & STRATTON, IL N'EST PAS NÉCESSAIRE DE L'ENREGISTRER. CONSERVEZ LE REÇU COMME PREUVE D'ACHAT. SI, LORS D'UNE RÉCLAMATION DE GARANTIE, VOUS NE POUVEZ PROUVER LA DATE INITIALE DE L'ACHAT, NOUS UTILISERONS LA DATE DE FABRICATION DU PRODUIT COMME DATE DE RÉFÉRENCE POUR DÉTERMINER LA PÉRIODE DE GARANTIE.

Une garantie d'usage par la consommateur prolongée de quatre ans pour le moteur et l'alternateur est disponible. Il suffit de remplir la fiche d'enregistrement du consommateur et la liste de vérification de l'installation et de retourner ces deux documents à Briggs & Stratton Power Products, LLC.

## À PROPOS DE LA ÉQUIPEMENT GARANTIE

Nous acceptons de faire effectuer les réparations couvertes par la garantie et tenons à nous excuser pour tout inconvénient subi. Tout agent d'un service après-vente agréé peut exécuter les réparations couvertes par la garantie. La plupart des réparations couvertes par la garantie sont traitées automatiquement; cependant, il arrive parfois que les demandes de service en vertu de la garantie soient non fondées. Par exemple, la garantie ne couvre pas les dommages causés à l'équipement par une utilisation abusive, par un manque d'entretien périodique, durant l'expédition, la manutention ou l'entreposage, ou en raison d'une installation inadéquate. De même, la garantie sera annulée si la date de fabrication ou le numéro de série apposé à l'équipement a été enlevé ou si l'équipement a été changé ou modifié. Durant la période de garantie, le distributeur de service après-vente agréé réparera ou remplacera, à son gré, toute pièce qui, après examen, est trouvée défectueuse à la suite d'une utilisation et d'un entretien normaux. La présente garantie ne couvre pas les réparations et les équipements suivants:

- Usure normale:** Comme tout autre dispositif mécanique et moteurs, les groupes électrogènes d'extérieur nécessitent l'entretien périodiques de certaines pièces pour fonctionner adéquatement. La présente garantie ne couvre pas les frais de réparation des pièces ou des équipements dont la durée de vie utile a été dépassée à la suite d'une utilisation normale.
- Installation et entretien:** La présente garantie ne couvre pas les équipements ou les pièces qui ont fait l'objet d'une installation ou de modifications et de changements inadéquats ou non autorisés, d'une mauvaise utilisation, de négligence, d'un accident, d'une surcharge, d'emballement, d'entretien inadéquat, de réparation ou d'entreposage qui, selon nous, auraient nui à la performance et à la fiabilité du produit. De plus, la garantie ne couvre pas l'entretien normal tel que le réglage, le nettoyage du circuit d'alimentation et son obstruction (causée par l'accumulation de produits chimiques, de saletés, de calamine, de calcaire, etc.).
- Exclusions supplémentaires:** La présente garantie exclut les pièces qui s'usent telles que les jauges d'huile, les joints toriques, les filtres, les fusibles et les bougies, etc., ou tout dommage ou tout mauvais fonctionnement résultant d'un accident, d'une utilisation abusive, de modifications, de changements ou d'un entretien inadéquat du système, du gel ou d'une détérioration chimique. Les pièces accessoires ne sont pas couvertes par la garantie du produit. Cette garantie exclut toute défaillance due à une catastrophe naturelle ou à toute autre force majeure hors du contrôle du fabricant. Est aussi exclu tout équipement usé, remis à neuf ou de démonstration, tout équipement utilisé pour l'alimentation principale en remplacement de l'alimentation de service et tout équipement utilisé pour l'alimentation d'appareils de maintien des fonctions vitales.

BRIGGS & STRATTON POWER PRODUCTS GROUP, LLC  
JEFFERSON, WI, USA



0 24847 37538 1